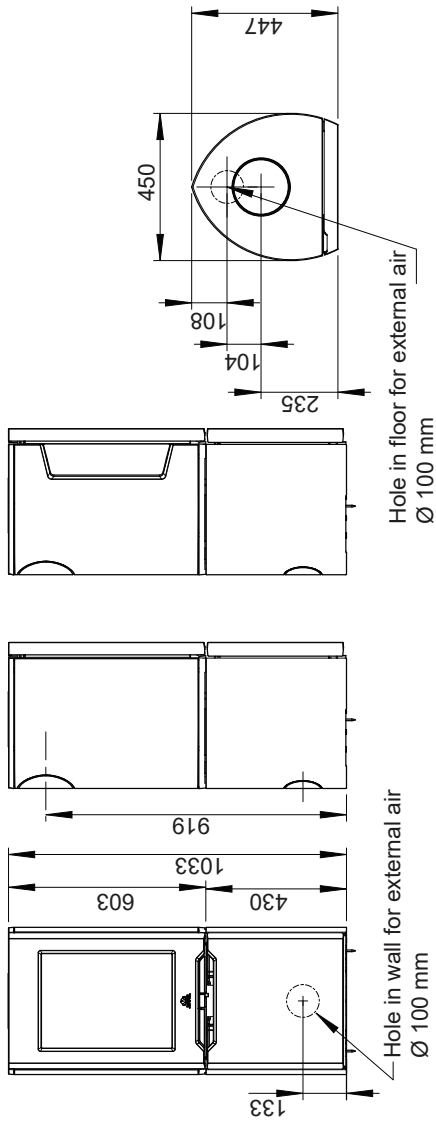
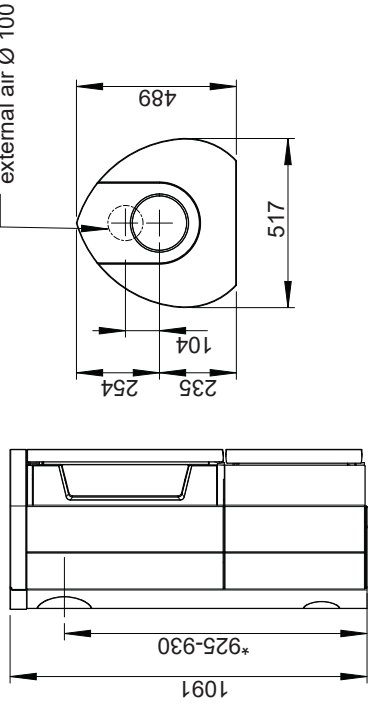


Fig. 1a

Jøtul F 164 / Jøtul F 165

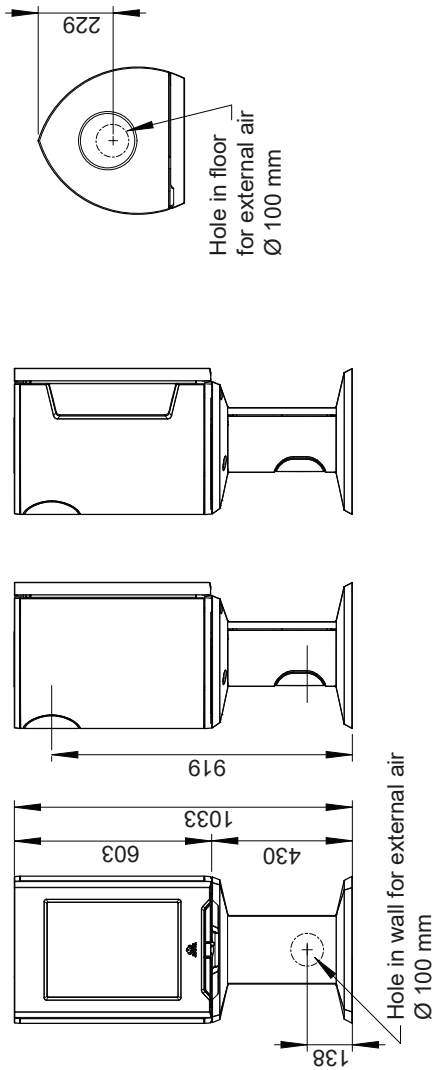


Jøtul F 164 S / Jøtul F 165 S
(for soapstone and floor plate)

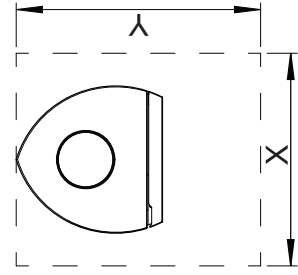


* Smoke outlet - height for soapstone and floor plate

Jøtul F 166 / Jøtul F 167



Floor plate

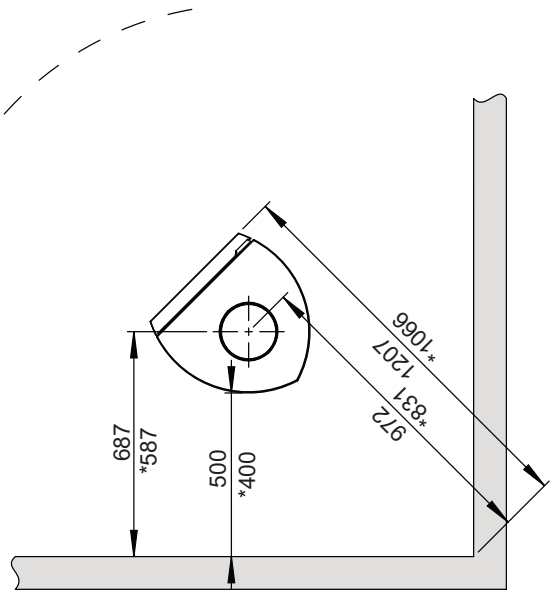
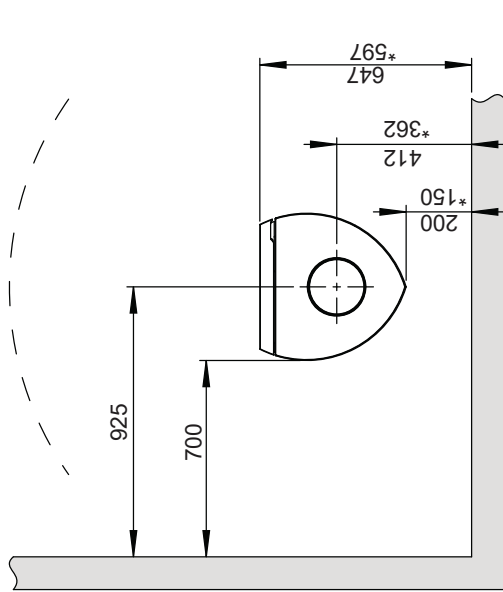


Min. measurements
floor plate X and Y =
See chapter 4.1

Fig. 1b

Jøtul F 164 / F 165 / F 166 / F 167

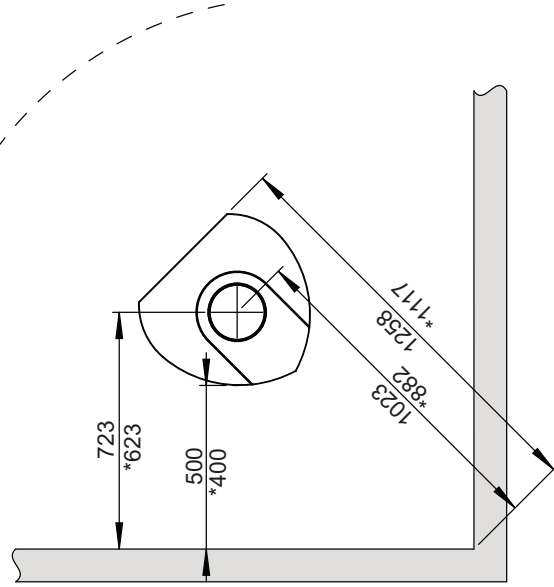
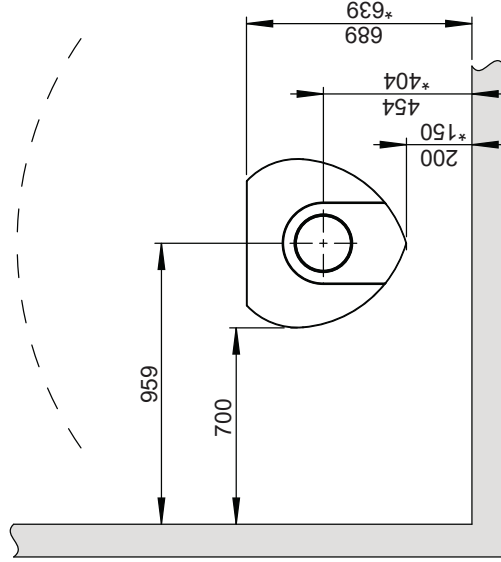
Min. distance to combustible wall



* Semi insulated chimney / covered flue pipe down towards the product.

Jøtul F 164 S / F 165 S

Min. distance to combustible wall.
Soapstone base model



* Semi insulated chimney / covered flue pipe down towards the product.

Fig. 1c

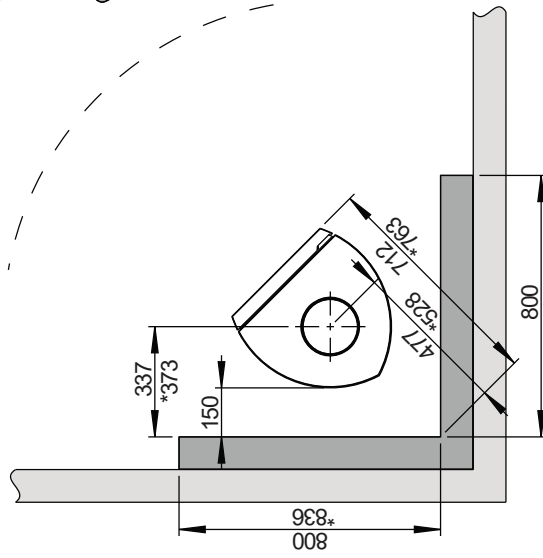
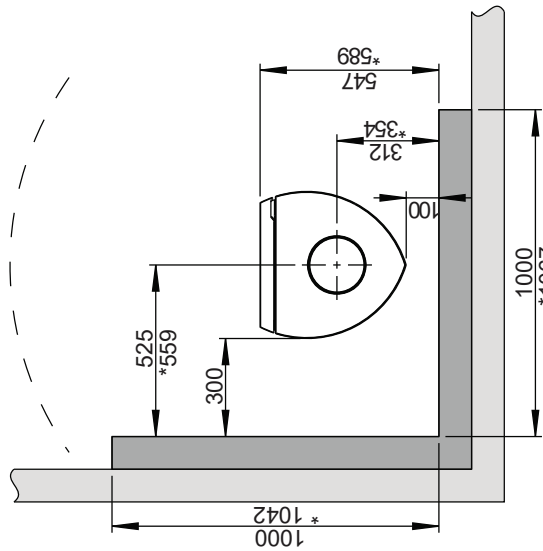
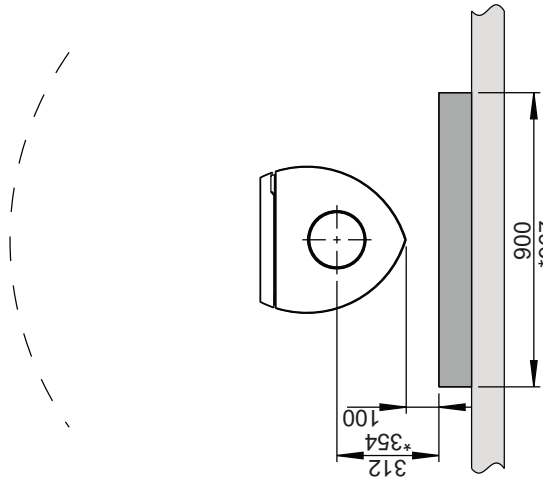
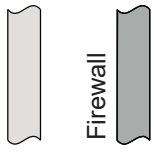
Jøtul F 164 / F 165 / F 166 / F 167

Min. distance to combustible wall protected by approved firewall:

External

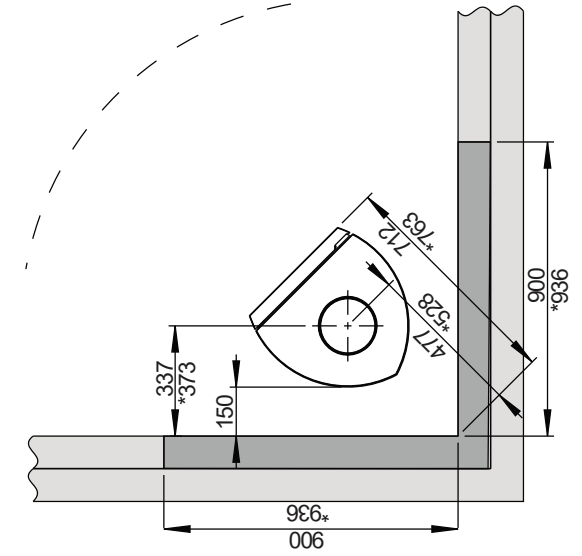
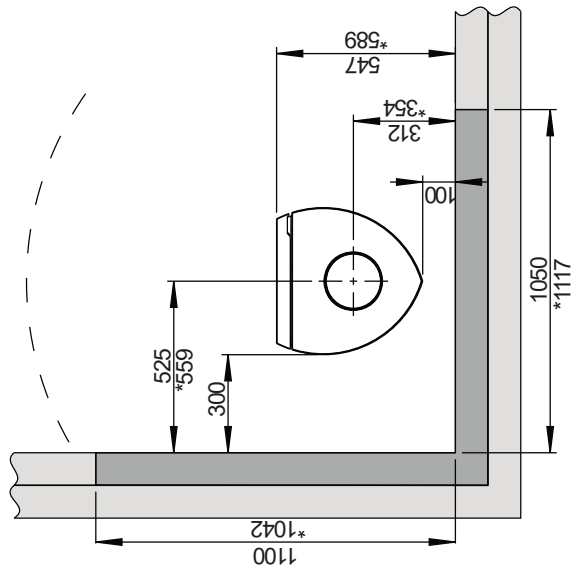
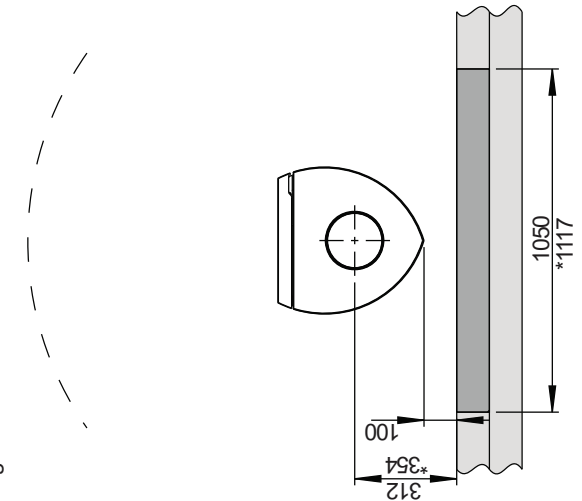
*For Jøtul F 164 S and F 165 S only (Soapstone)

Combustible wall



Intergrated

*For Jøtul F 164 S og F 165 S only (Soapstone)



900128-P04