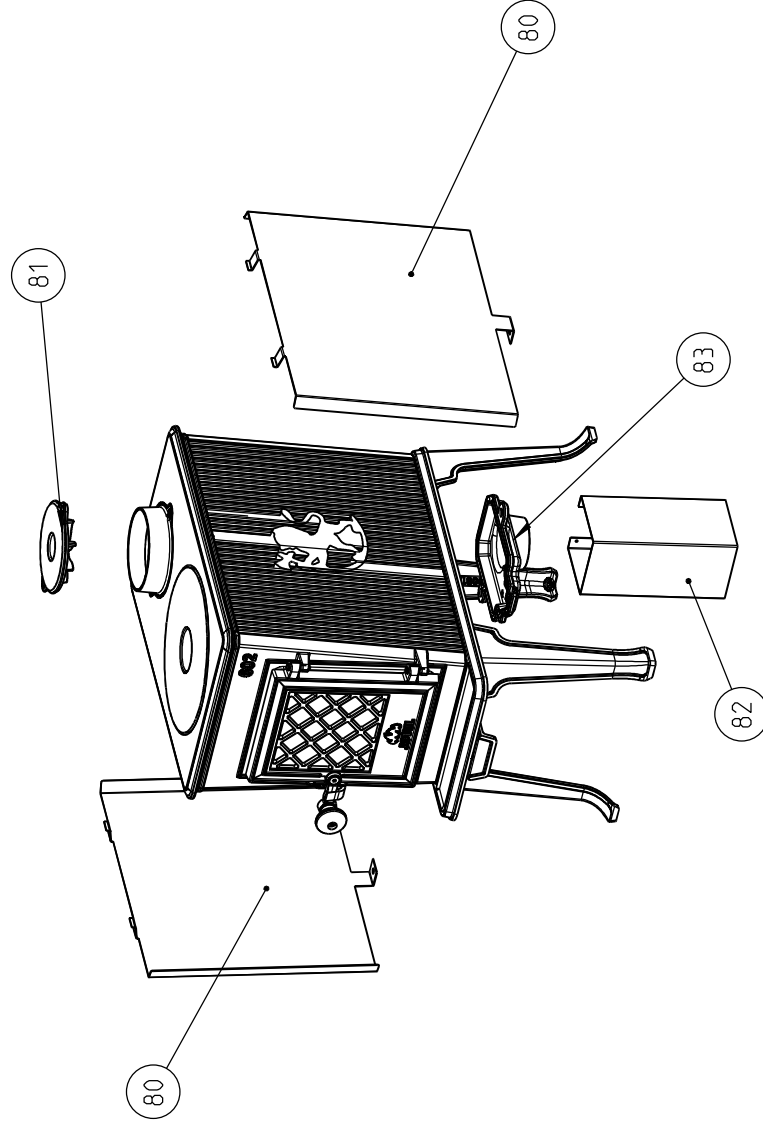


# Accessories



XX - Position number  
YY - Quantity

Partlist. Jøtul F 602 ECO

Jøtul AS  
Fredrikstad, Norway

Draw.no:  
900294-P01

Date:  
02.10.19

Sheet:  
2 of 2