

Jøtul F 520

Jøtul F 520
Manual Version P12

| | |
|--|----|
| UK - Installation and operating instructions | 5 |
| DE - Montage- und Gebrauchsanweisung | 20 |
| NL - Installations- og brugsanvisning | 35 |
| PL - Instrukcja Montażu i Obsługi | 50 |



*Manualen må oppbevares under hele produktets levetid. Manualen skal oppbevares under hele produktets levetid.
Manualen skall sparas under hela produktens levtid. Käyttöohje on säilytettävä tuotteen koko käyttöiän ajan.*



| Requirements / Exigences / Requisitos / Requisiti / Vereisten / Forderungen | |
|--|--|
| Supplier / Fabricante / Fornitore / Vereisten / Lieferant: | Jøtul AS |
| Product models Produits concernés Modelos Modelli Product modellen Varianten der Feuerstelle | Jøtul F 520 Jøtul F 520 HT |
| Energy efficiency class / Classe énergétique / Clase de eficiencia energética / Classe energetica / Energie efficiëncy klasse / Energieeffizienz-Klasse | A |
| Direct heat output / Puissance réelle de sortie / Potencia calorífica emitida / Emissione di calore diretta / Directe warmte afgifte / Nennwärmeleistung | 7,0 kW |
| Energy efficiency index / Index de rendement énergétique / Índice de eficiencia energética / Indice di efficienza energetica / Energie efficiëncy index / Energieeffizienz-Index | 102,7 |
| Efficiency at nominal heat output / Rendement à puissance nominale / Eficiencia al rendimiento nominal / Efficienza alla potenza nominale / Efficiëncy bij nominale warmte afgifte / Wirkungsgrad bei Nennheizleistung | 77 % |
| <ul style="list-style-type: none"> • Any specific precautions that shall be taken when the local space heater is assembled installed or maintained. • Toutes les précautions spécifiques doivent être prises lors de l'assemblage, l'installation ou l'entretien de l'appareil. • Cualquier precaución específica que deba tenerse en cuenta durante el montaje, instalación o mantenimiento del equipo de calefacción • Precauzioni specifiche da prendere quando il riscaldatore viene assemblato, installato o mantenuto in uno spazio. • Eventuele specifieke voorzorgsmaatregelen die worden genomen wanneer de plaatselijke ruimteverwarming wordt gemonteerd, geïnstalleerd of onderhouden. • Besondere Maßnahmen bei Montierung, Installation und Wartung. | <ul style="list-style-type: none"> • Fire safety precautions such as safety distances when installing, national standards, local codes and regulations. See the Instructions manual. • Les précautions d'incendie telles que les distances de sécurité lors de l'installation, le suivi des normes, les codes locaux et les réglementations nationales. Veuillez lire le manuel d'installation. • Precauciones frente a incendios como distancia de seguridad en la instalación, estándares nacionales, códigos locales y reglamentos. Lea el manual de instalación. • Precauzioni per la sicurezza antincendio come le distanze di sicurezza durante l'installazione, le normative nazionali e locali. Leggere il manual. • Brandveiligheidsmaatregelen, zoals veiligheidsafstanden bij installatie, nationale normen, lokale codes en voorschriften. Lees de installatiehandleiding. • Für brenntechnische Verhältnisse, wie z.B. Aufstellbedingungen und nationale Forderungen. Siehe die Montage- und Bedienungsanleitung. |



Meldeskjema og sjekkliste for montering av ildsted

| | | | |
|---|-------|--|-------------|
| Eiers navn | | Tlf. | |
| Eiendommens adresse: | | | |
| Post nr. | Sted: | Gnr. | Bnr. |
| Ildstedets navn og type: | | Maks. effekt i kW | Brenseltype |
| Skorsteinstype (eks. tegl, element eller stålskorstein): | | | |
| Høyde fra røykinnføring til skorsteinstopp og innvendig diameter: _____ Meter Dia. Ø _____ mm | | Antall ildsteder på skorsteinen: _____ Stk. | |

Følgende punkter er sjekket under / etter installasjonen:

| | OK | Ikke OK |
|---|--------------------------|--------------------------|
| Er ildstedet montert etter monteringsanvisningen? | <input type="checkbox"/> | <input type="checkbox"/> |
| Er størrelsen/avstand til brannmur i henhold til mont. anvisningen? | <input type="checkbox"/> | <input type="checkbox"/> |
| Er avstand til brennbart materiale kontrollert? | <input type="checkbox"/> | <input type="checkbox"/> |
| Er avstand til tak kontrollert? | <input type="checkbox"/> | <input type="checkbox"/> |
| Er underlagsplate/forplatens størrelse i henhold til mont. anvisningen? | <input type="checkbox"/> | <input type="checkbox"/> |
| Tåler gulvet vekten av ildstedet med omramming? | <input type="checkbox"/> | <input type="checkbox"/> |
| Er røykinnføring/innmuringsstuss montert? | <input type="checkbox"/> | <input type="checkbox"/> |
| Er røykrøret montert med stigning fra ildsted mot skorstein? | <input type="checkbox"/> | <input type="checkbox"/> |
| Er ildstedet sikret tilstrekkelig tilførsel av forbrenningsluft? | <input type="checkbox"/> | <input type="checkbox"/> |
| Er det fjernet et ildsted? | <input type="checkbox"/> | <input type="checkbox"/> |
| Er tidligere hull i skorsteinen forskriftsmessig fjernet? | <input type="checkbox"/> | <input type="checkbox"/> |
| Er ildstedet prøvfyrt og fungerer tilfredsstillende? | <input type="checkbox"/> | <input type="checkbox"/> |

Installasjonen er utført av: _____

_____ Sted

_____ Dato

_____ Eiers signatur

OBS! Husk at huseier plikter å melde fra til kommunen ved Brann- og Feiervesen om at ildsted er montert i følge norsk regelverk.

Sørg for at denne side blir utfylt og at en kopi sendes til det stedlige Brann- og Feiervesen. Ta godt vare på originalen da denne er et verdipapir for boligen.



Table of contents

| | | |
|------|--|----|
| 1.0 | Relationship to the authorities | 5 |
| 2.0 | Technical data | 5 |
| 3.0 | Safety | 6 |
| 4.0 | Installation | 10 |
| 5.0 | Daily Use | 13 |
| 6.0 | Maintenance | 15 |
| 7.0 | Servicing | 15 |
| 8.0 | Operational problems - troubleshooting | 18 |
| 9.0 | Optional Extras | 18 |
| 10.0 | Recycling | 18 |
| 11.0 | Warranty | 18 |

Register your fireplace at jotul.com for a 25-year warranty.

| | | | |
|---|----------------|------------------------|--|
| Product: Jøtul Room heater fired by solid fuel | | | |
| CE | | | |
| Standard | : | : | |
| Minimum distance to adjacent combustible materials: | : | : | |
| Emission of CO in combustion products: | : | : | |
| Flue gas temperature | : | : | |
| Nominal heat output | : | : | |
| Efficiency | : | : | |
| Operation range | : | : | |
| Fuel type | : | : | |
| Operational type | : | : | |
| The appliance can be used in a shared flue. | | | |
| Country | Classification | Certification/standard | Approved by |
| Norway | Class II | | |
| Sweden | SPC | SP | SP-Sveiges Provnings- och Forskningsinstitut AB |
| EUR | Intermittent | EN | SP Swedish National Testing and Research Institute |
| Follow user's instructions. Use only recommended fuels. | | | |
| Montage- und Bedienungsanleitung beachten. Verwenden Sie nur empfohlenen Brennstoffen. Respecter les consignes d'utilisation. Utilisez uniquement les combustibles recommandés. | | | |
| Lot no: Yxxxx Year: 200x | | | |
| Manufacturer: | 221546 | | |
| Jøtul AS | | | |
| POB 1441 | | | |
| N-1602 Fredrikstad | | | |
| Norway | | | |

On all our products there is a label indicating the serial number and year. Write this number in the place indicated in the installation instructions.

Always quote this serial number when contacting your retailer or Jøtul.

Lot no. Pin.

1.0 Relationship to the authorities

- Installation of a fireplace must be carried out in compliance with national laws and regulations. All local ordinances, including those that refer to national and European standards, must be complied with when products are installed.
- The installation can only be put into use after it has been checked by a qualified inspector.
- Contact your local building authorities before installing a new fireplace.

2.0 Technical data

| | |
|-------------------------------------|------------------------------------|
| Material: | Cast iron |
| Finish: | Paint |
| Smoke outlet: | Top |
| Flue pipe dimension: | Ø 150 mm |
| Outside air connection: | Ø80 / Ø100 mm |
| Weight: | |
| Jøtul F 520: | 170 kg |
| Jøtul F 520 + Jøtul f 520 High Top: | 201 kg |
| Optional extras | Cover for outside air through base |
| Product dimensions, distances: | See Fig. 1 |

Technical data in acc. with EN 13240

| | |
|--|--|
| Nominal heat output: | 7,0 kW |
| Flue gas volume: | 7,1 g/s |
| Chimney draught, EN 13240: | 12 Pa |
| Recommended negative pressure in smoke outlet: | 16-18 Pa |
| Efficiency: | 77% |
| CO emissions (13% O ₂): | 0,07% |
| CO emissions (13% O ₂): | 884 mg / Nm ³ |
| NOx at 13% O ₂ : | 54 mg / Nm ³ |
| OGC @ 13 % O ₂ : | 60 mg/Nm ³ |
| Particle emission NS 3059: | 1,88 g / kg |
| Air consumption: | 6,0 litre/sec or 21,6 m ³ /h |
| Chimney temperature, EN 13240: | 305 °C |
| Dust: | 14 mg/Nm ³ @13%O ₂ |

| | |
|--------------------------|------------------------|
| Type of fuel: | Wood |
| Max. log length: | 30 - 50 cm |
| Fuel consumption: | 2,3 kg/h |
| Max. kindling amount: | 3,4 kg |
| Nominal kindling amount: | 1,7 kg in 2 - 3 pieces |
| Operation: | Intermittent |

Intermittent combustion here means normal use of a fireplace, i.e. add more fuel as soon as the fire has burned down to embers.

ENGLISH

3.0 Safety

NB! To guarantee optimal performance and safety, Jøtul recommends that its stoves are fitted by a qualified installer (see www.jotul.com for a complete list of dealers).

Any modifications to the product by the distributor, installer or consumer may result in the product and safety features not functioning as intended. The same applies to the installation of accessories or optional extras not supplied by Jøtul. This may also be the case if parts that are essential to the functioning and safety of the fireplace have been disassembled or removed.

In all these cases, the manufacturer is not responsible or liable for the product and the right to make a complaint becomes null and void.

NB: Parts of the stove, in particular, the external surfaces, get hot during combustion! Exercise caution!

3.1 Fire Prevention Measures

There is a certain element of danger every time you use your fireplace. The following instructions must therefore be followed:

- The minimum safety distances when installing and using the fireplace are given in **fig. 1**.
- Ensure that furniture and other flammable materials are not too close to the fireplace. Flammable materials should not be placed within 900 mm of the fireplace.
- Allow the fire to burn out. Never extinguish the flames with water.
- The fireplace becomes hot when lit and may cause burns if touched.
- Only remove ash when the fireplace is cold. Ash can contain hot embers and should therefore be placed in a non-flammable container.
- Ash should be placed outdoors or be emptied in a place where it will not present a potential fire hazard.

In case of chimney fire:

- Close all hatches and vents.
- Keep the firebox door closed.
- Check the loft and cellar for smoke.
- Call the fire service.
- Before use after a fire an expert must check the fireplace and the chimney in order to ensure that it is fully functional.

Steel chimney

If a top-mounted steel chimney is used, fit an uninsulated pipe from the burn chamber to approx. 10 mm over the top grate. Make sure that the gasket is properly seated between the flue pipe and the smoke outlet. Then fit the steel chimney in accordance with the chimney supplier's installation instructions.

3.2 Floor

Foundation

You need to make sure the foundation is suitable for a fireplace. See "**2.0 Technical Data**" for specified weight.

We recommend the removal of any flooring that is not attached to the foundation ("floating floors") beneath the installation.

Jøtul recommends that any flooring made of combustible material, such as linoleum, carpets, etc. should be removed from under the floor plate.

Requirements for protection of inflammable floors in front of the fireplace

The front plate must comply with national laws and regulations. Contact your local building authorities regarding restrictions and installation requirements.

3.3 Walls

Distance to walls made of combustible material - see **fig. 1a**

Distance to combustible wall protected by firewall: See **fig. 1b**.

The fireplace may be used with an uninsulated flue pipe provided the distances between the fireplace and walls made of combustible materials are as shown in **fig. 1a**. Alternative distances with shielded or insulated flue pipe are also displayed in **fig. 1b**.

NB: Place the product in such a way that it is possible to clean the stove, the flue pipe and the chimney passage.

Note! Ensure that furniture and other flammable materials are not too close to the fireplace. Flammable materials should not be placed within 900 mm of the fireplace.

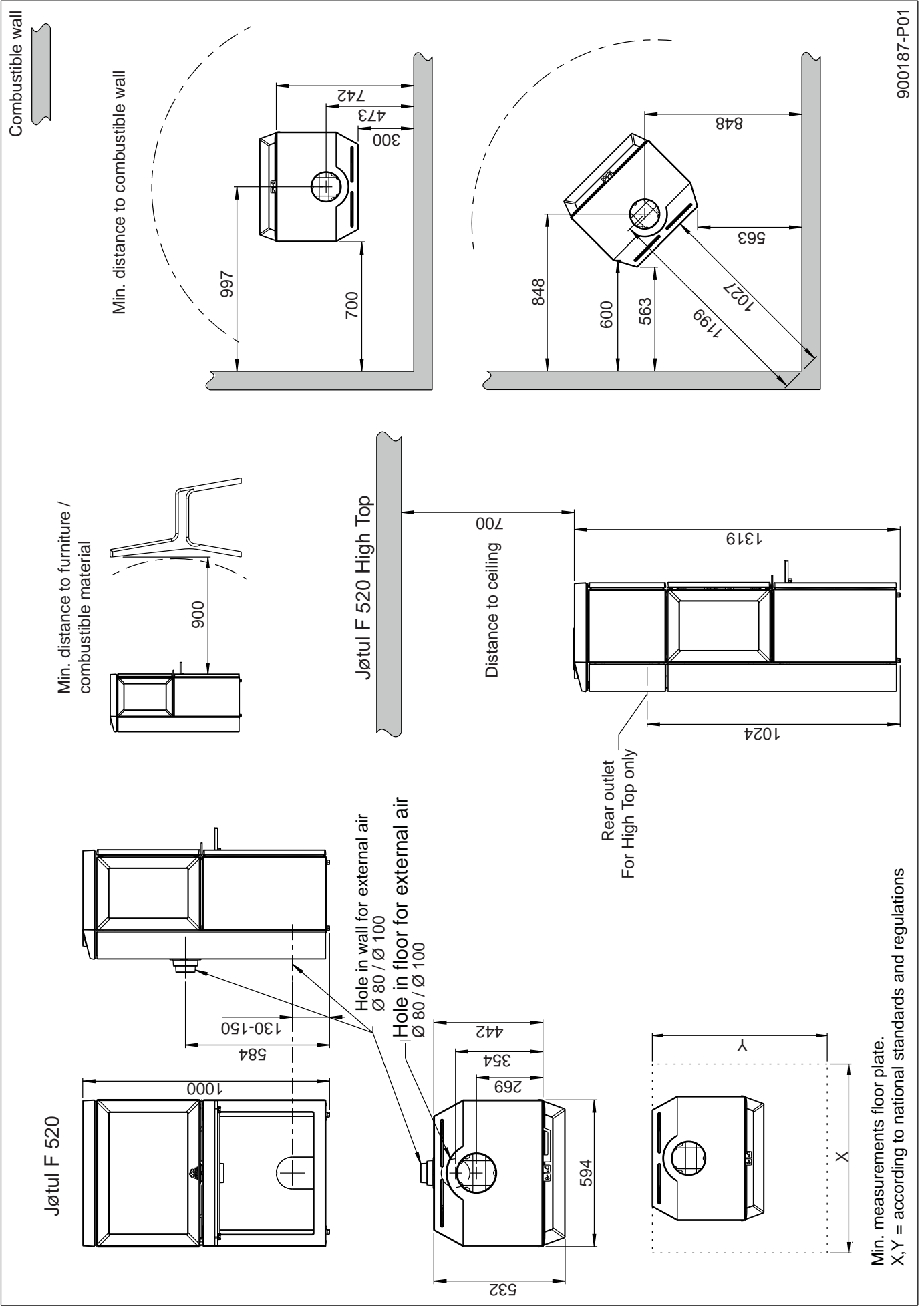
NB: Make sure that furniture and other household items are not so close as to get dried up by the stove.

3.4 Ceiling

The fireplace can be fitted with the top edge of the hot air opening of the surround **at least 750 mm** below a ceiling of inflammable material.

Jøtul F 520 / Jøtul F 520 High Top

Fig. 1a

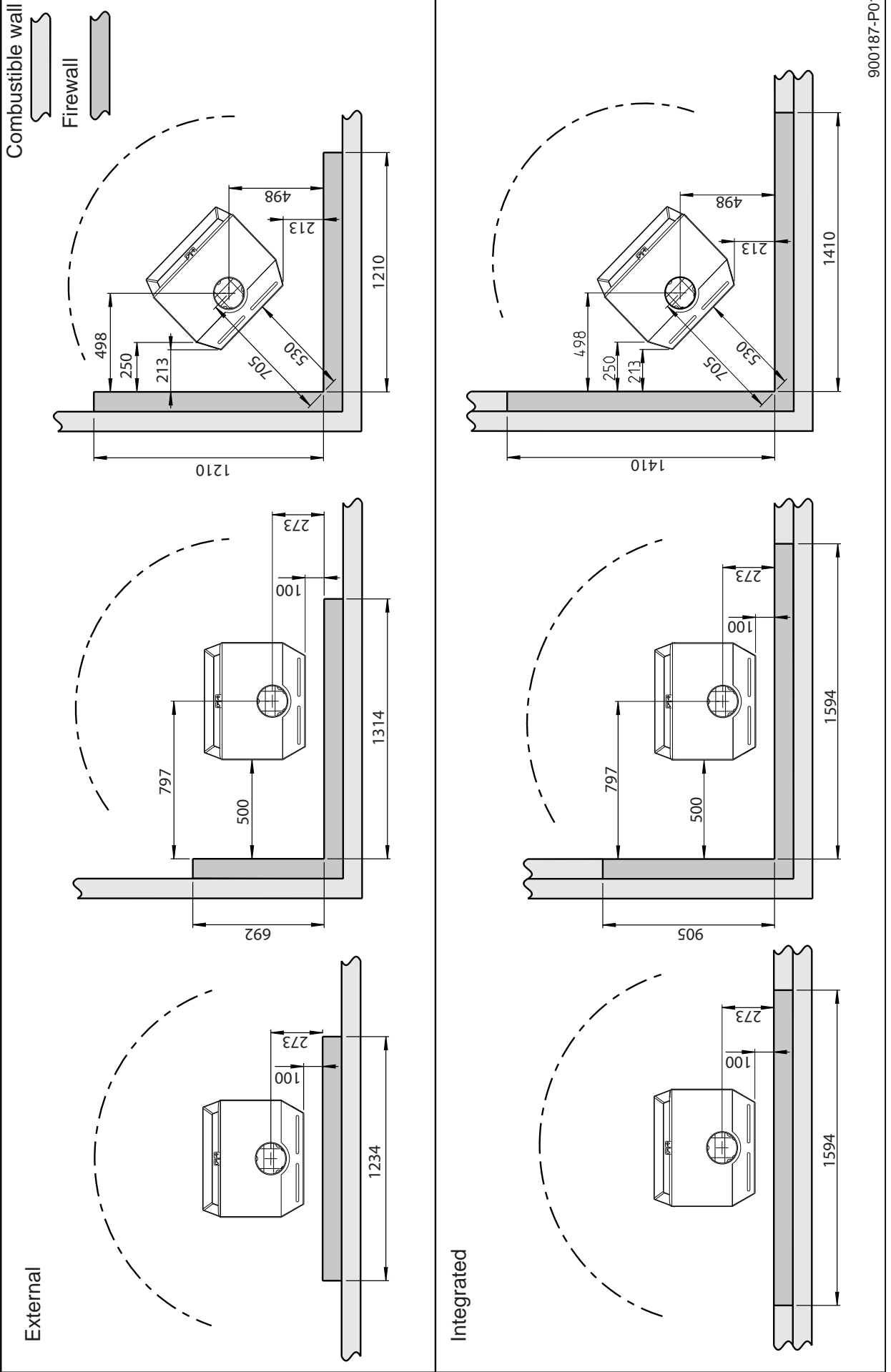


Min. measurements floor plate.
X, Y = according to national standards and regulations

900187-P01

Jøtul F 520 / Jøtul F 520 High Top

Min. distance to combustible wall protected by firewall



Fresh air supply

The air used for combustion in any well-insulated house needs to be replaced. This is particularly important in houses with mechanical ventilation. Such replacement air can be procured in several ways. The most important thing is to supply the air to the room where the stove is placed. Place the outside wall valve as close to the stove as possible and make sure that it can be closed when the stove is not in use.

For the fresh air supply connection, follow the national and local building regulations.

Closed combustion system

Use the stove's closed combustion system if you live in recently built, airtight dwellings. Connect the external combustion air through a ventilation pipe through the wall or the floor.

Air supply

The amount of combustion air for Jøtul's products is approximately 20-40 m³/h. The outside air connection may be fitted directly to the Jøtul F 520 through:

- the bottom/rear
- through a flexible supply hose from the outside/chimney (only if the chimney has its own duct for external air) and to the product's outside air connector.
-

Fig. 2A, through an outside wall

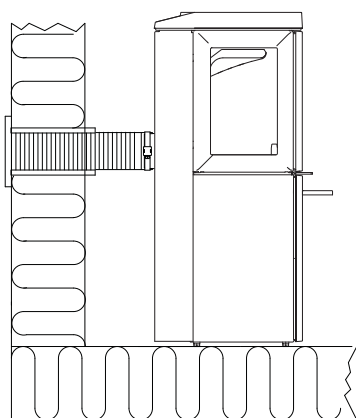


Fig. 2B, through the floor and ground plate

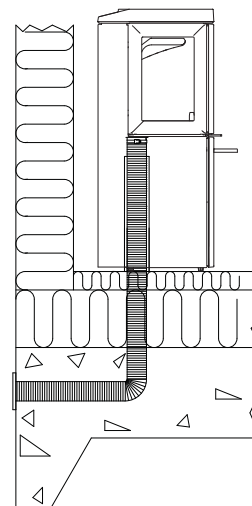


Fig. 2C, through the floor and basement

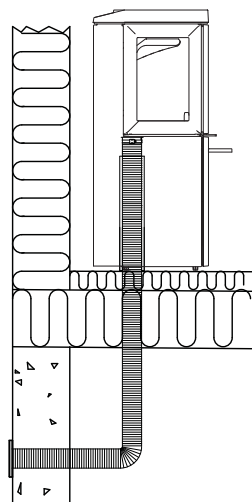
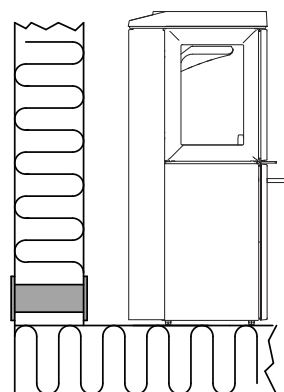


Fig. 2D, indirectly through an outside wall



ENGLISH

4.0 Installation

NB: Check that the fireplace is undamaged before installation begins.

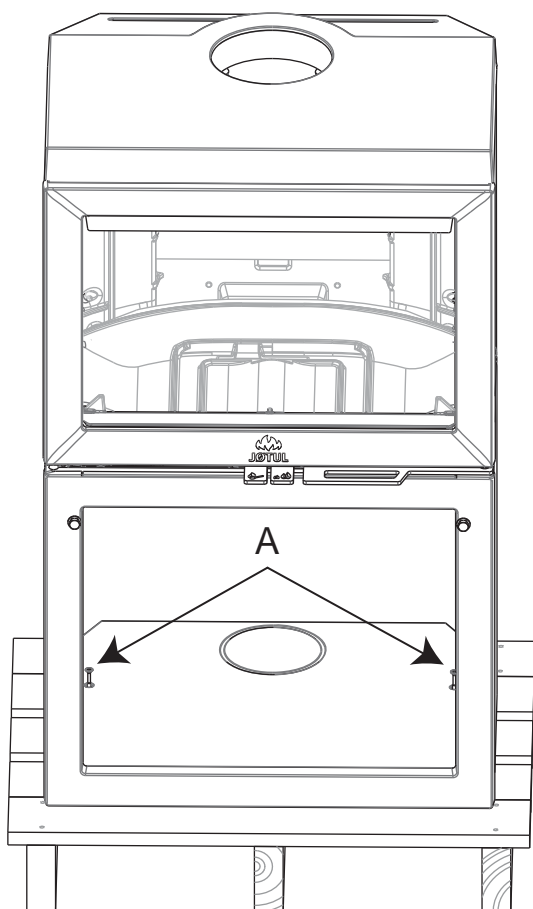
NB: The product is heavy! Ensure you have help when positioning and installing it. Make sure the product does not topple over.

NB: Do not place anything on the top plate of the stove as this could cause permanent damage to the paint.

NB: Read the Installation and Operating instructions carefully before installing the fireplace!

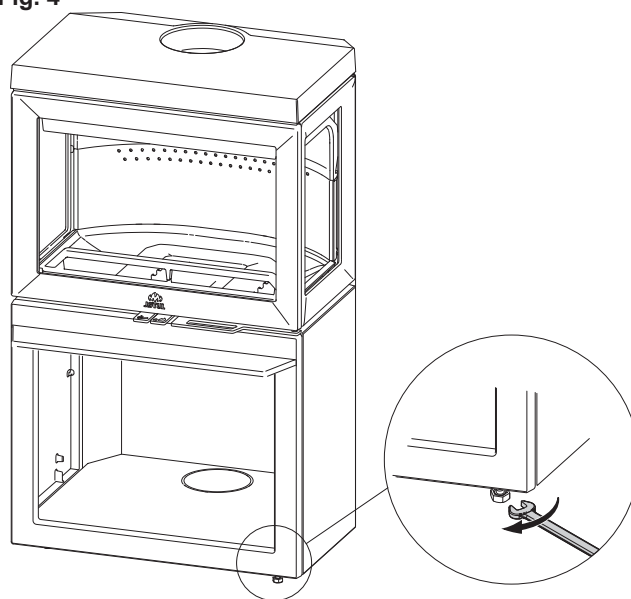
4.1 Prior to installation - Jøtul F 520

Fig. 3

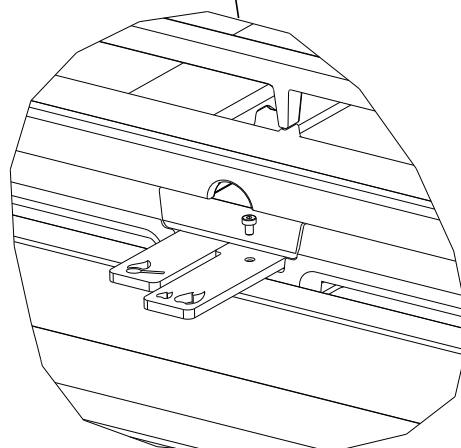
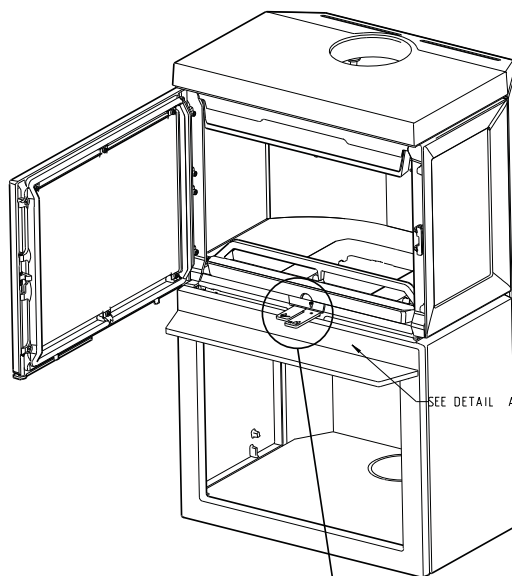


1. Remove the two transport screws (**A**) that fasten the stove to the wooden pallet.
2. Leave the stove standing on the transport pallet.
3. Check that the control lever (**B**) moves easily.

Fig. 4



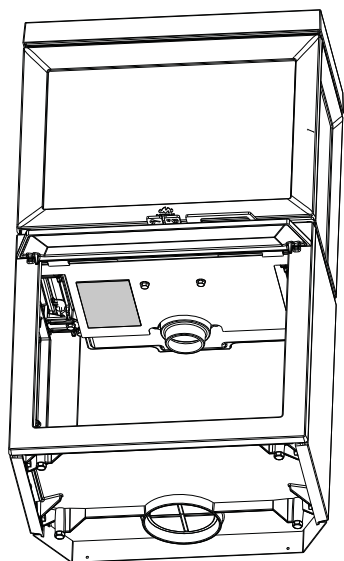
4. Lift the stove from the pallet.
5. Set up the stove and adjust using a cap wrench to a horizontal position with the 4 height adjustment screws



DETAIL A

Approval label

Fig. 5

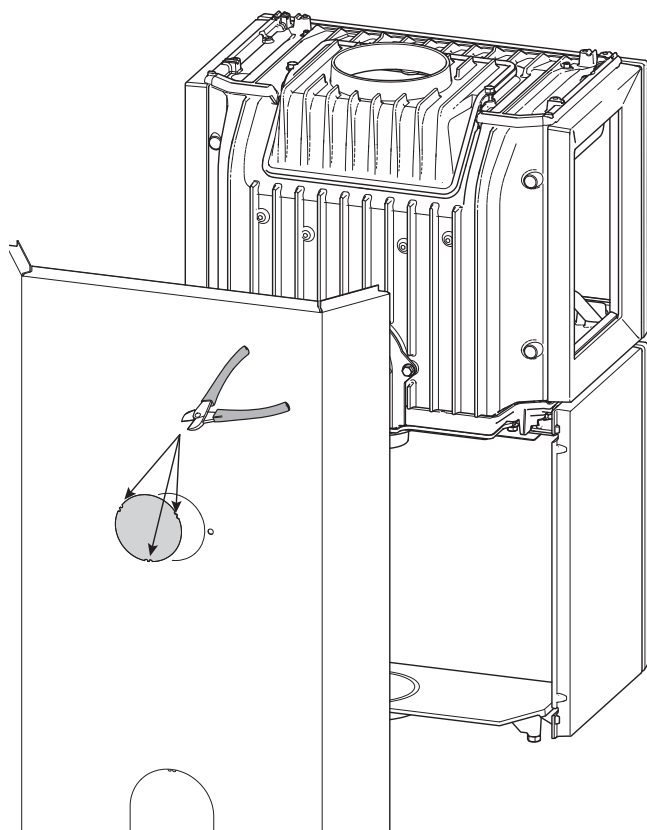


4.2 Outside air connection through the base

Through a rear outlet

Jøtul F 520 is delivered with air inlet mounted underneath the product. If needed, the air inlet may be mounted in the rear of the product.

Fig. 6



- Use a cutting pliar and cut along the knock-out holes.

Alternative through a rear outlet

Fig. 6b

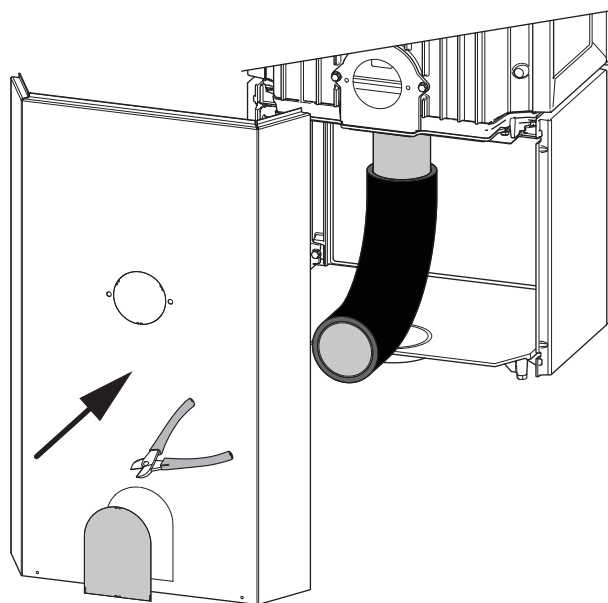
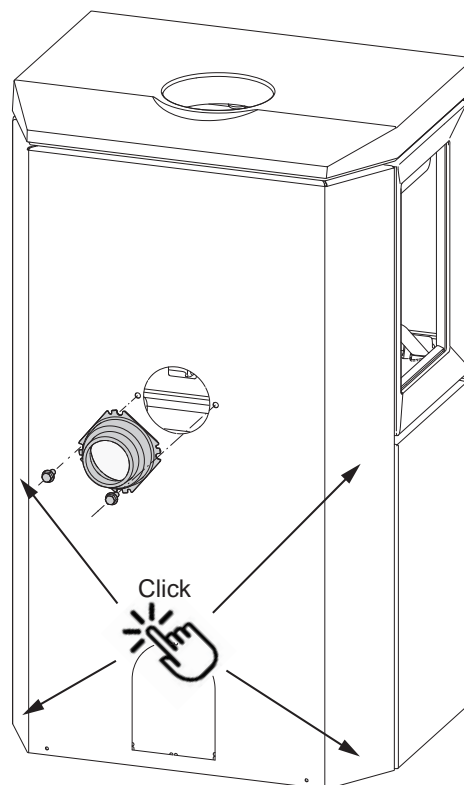


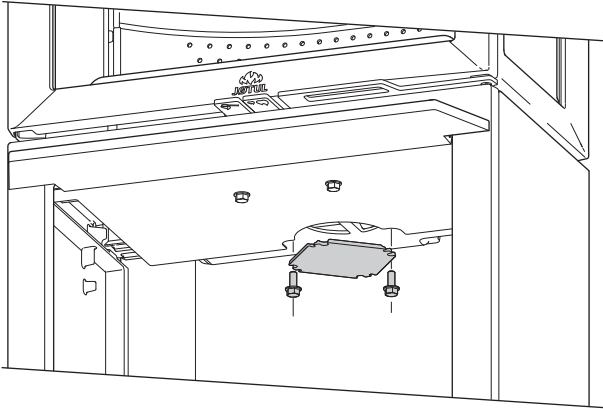
Fig. 7



- Move the air intake connector from underneath the oven to the back of the oven
- For fastening $\varnothing 80$ / $\varnothing 100$ fresh air intake tube (optional equipment – item no. 51047509 / 51012164), see the manual (item no. 10047508) accompanying the external air set. See the installation instructions that follow with the external air set. Attach the hose to the external air connector with a hose clip to avoid using joints. The external air hose insulation ends approx. **100 mm** below the burn chamber.

ENGLISH

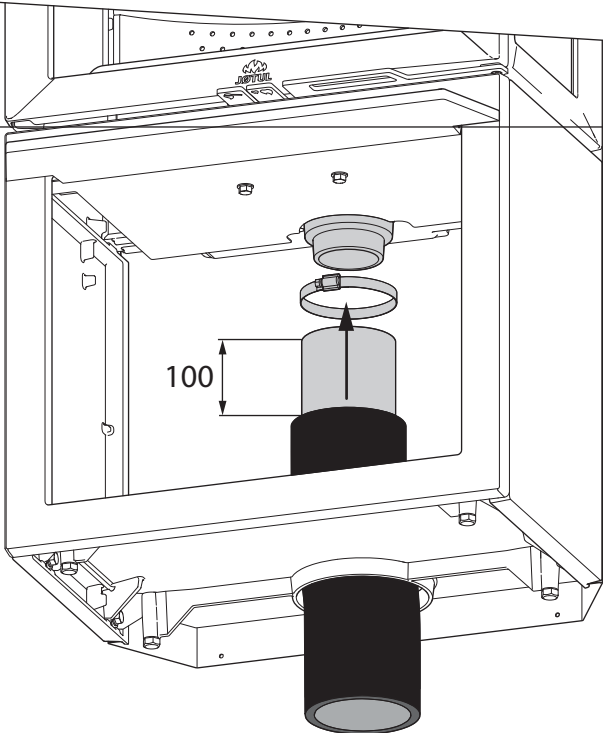
Fig. 8



Then install the cover for outdoor air inlet underneath of the oven.

Through the floor

Fig. 9



- Use a heavy mallet and strike hard in the middle of the knockout
- Pull a flexible hose through the floor and up to the air intake connector.
- Then attach the flexible hose to the air intake connector with a hose clamp
- For fastening $\text{Ø}80$ / $\text{Ø}100$ fresh air intake tube (optional equipment – item no. 51047509 / 51012164), see the manual (item no. 10047508) accompanying the external air set. See the installation instructions that follow with the external air set. Attach the hose to the external air connector with a hose clip to avoid using joints. The external air hose insulation ends approx. **100 mm** below the burn chamber.

4.4 Chimney and flue pipe

- The fireplace must only be connected to a chimney and flue pipe approved for solid fuel fireplaces with flue gas temperatures as specified in «**2.0 Technical Data**».
- Several solid fuel stoves can be connected to the same chimney system if the chimney cross section is adequate. **NB: Look into the applicable rules and regulations to find out what is permitted.** Even a good chimney can function poorly if it is used incorrectly.
- The cross-section of the chimney must be designed to fit the fireplace. Use «**2.0 Technical Data**» to calculate the correct chimney cross-section.
- The chimney must be connected in accordance with the installation instructions of the chimney supplier.
- Before a hole is made in the chimney, the product should be test-mounted in order to correctly mark the position of the fireplace and the hole in the chimney. See **fig. 1** for minimum dimensions.
- Make sure that the flue pipe rises all the way up to the chimney.
- With a rear outlet, use a flue pipe bend with a sweep hatch to allow sweeping.
- Please note that it is extremely important for connections to have a degree of flexibility. This is to prevent any movement in the installation leading to the formation of cracks.
- For recommended chimney draught, see «**2.0 Technical Data**». For flue pipe dimension see “**2.0 Technical Data**”. **NB: The chimney’s diameter must be at least just as big as the flue pipe.**

NB! The minimum recommended chimney length is 3.5 m from the flue pipe insert. If the draught is too strong, a flue pipe damper can be installed and used to reduce the draught.

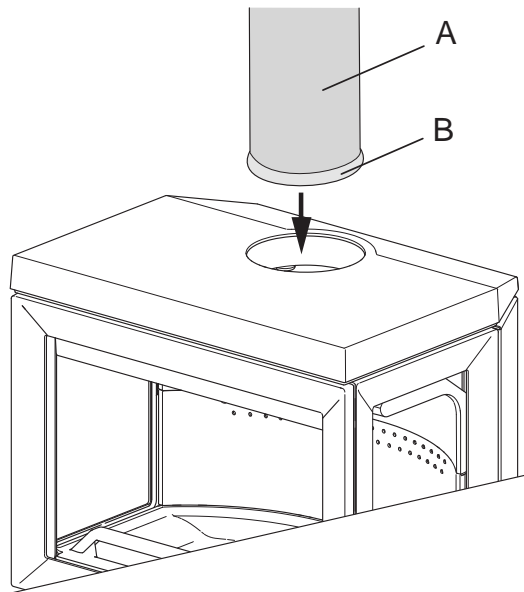
Operation under different weather conditions

The effect of the wind on the chimney may have a significant impact on how the stove reacts under different gust loads. It may be necessary to adjust the air supply to achieve good combustion.

4.5 Fitting a flue pipe with a top outlet

The product is supplied from the factory with the smoke outlet fitted for the top outlet.

Fig. 10

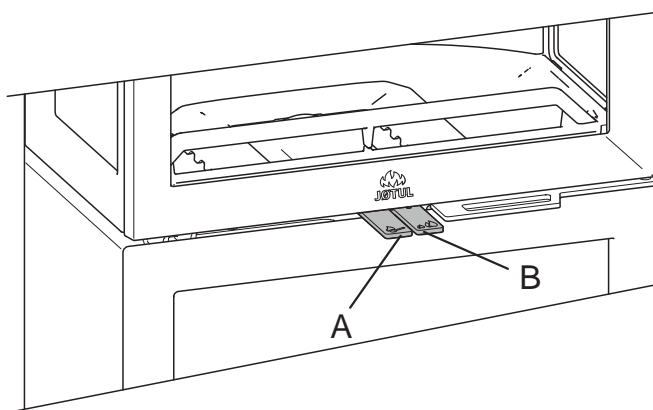


1. Thread the flue pipe (A) through the top plate and place it in the top smoke outlet.
2. Seal well with a gasket (B).

4.5 Performance check

Always check the control handles once the product has been assembled. These should move easily and work in a satisfactory manner.

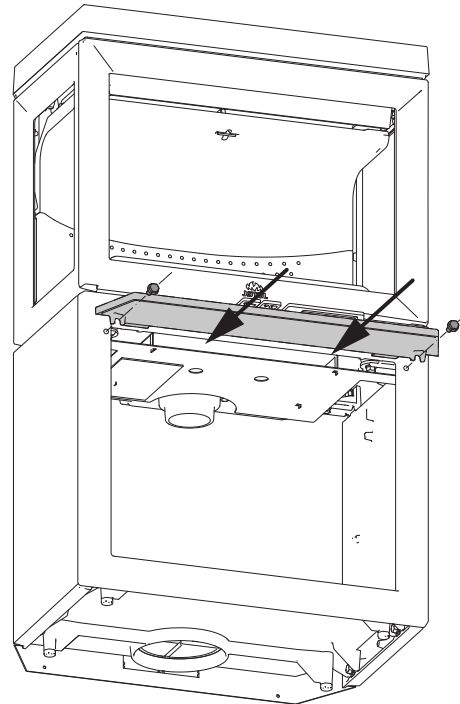
Fig. 11



The Jøtul F 520 is equipped with the following operating options:

- Pull out the ignition vent (A) the air vent (B) automatically follows.

4.6 Mounting of ash lip



5.0 Daily use

Odours when using the fireplace for the first time

When the fireplace is used for the first time, it may emit an irritating gas which may smell slightly. This happens because the paint dries. The gas is not toxic but the room should be thoroughly ventilated. Let the fire burn with a high draught until all traces of the gas have disappeared and no smoke or odours can be detected.

Heating advice

NB: Logs that have been stored outdoors or in a cold room should be brought indoors 24 hours before use to bring them up to room temperature.

There are various ways of heating the stove but it is always important to be careful about what you put in the stove. See the section on “**Wood quality**”.

Important! An inadequate air supply can lead to poor combustion, high emissions and a lower level of efficiency.

Wood quality

By quality wood we mean most well-known types of wood such as birch, spruce and pine.

The logs should be dried so that the moisture content is no more than 20%.

To achieve this, the logs should be cut during the late winter. They should be split and stacked in a way that ensures good ventilation. The wood stacks should be covered to protect the logs from rain. The logs should be brought indoors during early autumn and stacked/stored for use in the coming winter.

ENGLISH

Be especially careful never to use the following materials as fuel in your fireplace:

- Household rubbish, plastic bags, etc.
- Painted or impregnated timber (which is extremely toxic).
- Laminated wooden planks.
- Driftwood

These may harm the product and are also pollutants.

N.B: Never use petrol, paraffin, methylated spirit or similar liquids to light the fire. You may cause serious injury to yourself and damage to the product.

Kindling (finely split wood):

Length: Max. 30 - 50 cm
Diameter: 6-10 cm
Quantity required each time: 3 pieces (0,6 - 0,8 kg) and 10 - 12 pieces with a total weight about 1 kg

Wood (split wood):

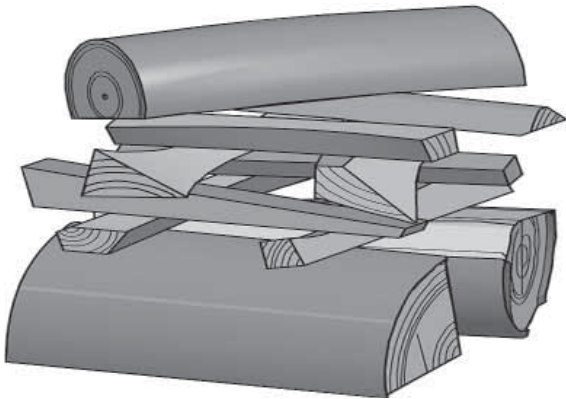
Recommended length: 30 - 50 cm
Quantity required each time: 2 or 3 logs weighing 0.7 kg each, i.e. 1.5-2.0 kg each time
Interval for adding wood: Approx. every 50 minutes
Quantity required each time: 2 - 3
Max. each time: 2,3 kg

Nominal heat output is achieved when the air vent is open approx. 40% - 70%, and the ignition vent is open approx. 0% - 50%.

Initial lighting

- Open the air vent and ignition vent by pulling the handles all the way out. (Use a glove or something similar to protect your hand in case the handles are hot.).

Fig. 34

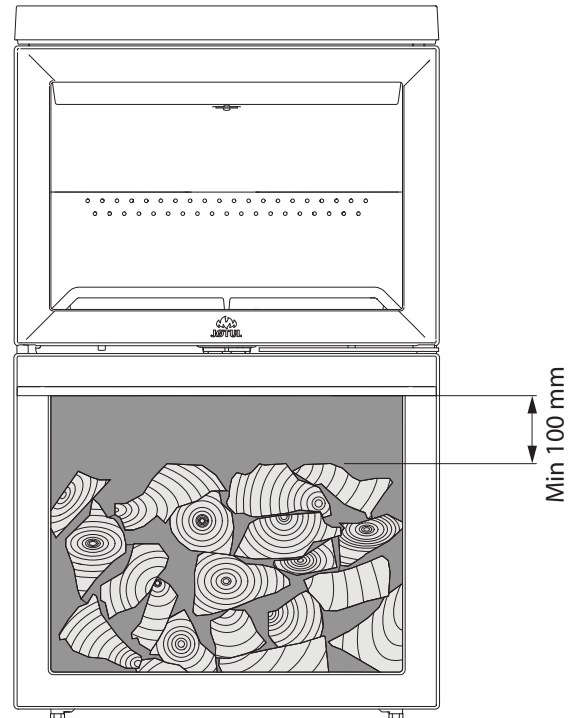


- Place two logs at the bottom of the burn chamber and pile the kindling in layers.
- Finally, place a medium-sized log on the top of the pile.
- Place 2 or 3 briquettes or kindling sticks under the top layer of kindling and light the fire. **N.B: The maximum height of the pile of the wood should be just below the horizontal holes. The holes must not be covered.**
- You can then regulate the rate of combustion to give the heat you want by adjusting the air vent (**fig. 11**).
- Check that the afterburning (secondary combustion) starts. This is best indicated by yellow, flickering flames in front of the holes under the baffle.
- If the air flow is normal you will be able to shut the door and the fire will take care of itself.

Adding firewood

Stoke the stove frequently but only add small amounts of fuel at a time. If the stove is filled too full, the heat created may cause extreme stress in the chimney. Add fuel to the fire in moderation. Avoid smouldering fires as this produces the most pollution. The fire is best when it is burning well and the smoke from the chimney is almost invisible.

Stacking wood



- The wood must not be stacked higher than 100 mm from the bottom of the burn chamber.

5.1 Danger of overheating

The fireplace must never be used in a manner that causes overheating

Overheating occurs when there is too much fuel and/or too much air so that too much heat develops. A sure sign of overheating is when parts of the fireplace glow red. If this happens, reduce the air vent opening immediately.

Seek professional advice if you suspect that the chimney is not drawing properly (too much/too little draught). For further information, see «4.0 Installation» (Chimney and flue pipe).

5.2 Ash removal

- Only remove ash when the fireplace is cold.
- Use a scoop or similar to remove the ash through the door.

Always leave some ash as a protective layer on the bottom of the fireplace.

6.0 Maintenance

6.1 Cleaning the glass

The product is equipped with an air wash for the glass. Air is sucked in through the air vent on the top of the product and down along the inside of the glass.

However, some soot will always stick to the glass, but the quantity will depend on the local draught conditions and adjustment of the air vent. Most of the soot layer will normally be burned off when the air vent is opened all the way and a fire is burning briskly in the fireplace.

Good advice! For normal cleaning, moisten a paper towel with warm water and add some ash from the burn chamber. Rub it over the glass and then clean the glass with clean water. Dry well. If it is necessary to clean the glass more thoroughly we recommend using a glass cleaner (*follow the instructions on the bottle*).

6.2 Cleaning and soot removal

Soot deposits may build up on the internal surfaces of the fireplace during use. Soot is a good insulator and will therefore reduce the fireplace's heat output. If soot deposits accumulate when using the product, they can easily be removed by using a soot remover.

In order to prevent a water and tar layer from forming in the fireplace, you should regularly allow the fire to burn hot in order to remove the layer. An annual internal cleaning is necessary to get the best heating effect from your product. It is a good idea to do this when cleaning the chimney and flue pipes.

6.3 Sweeping flue pipes to the chimney

Flue pipes must be swept through the flue pipe sweeping hatch or through the door opening. The baffle and exhaust deflector must be removed first.

6.4 Inspection of the fireplace

Jøtul recommends that you carefully inspect your fireplace yourself after it has been swept/cleaned. Check all visible surfaces for cracks. Also check that all joints are sealed and that the gaskets are in the correct position. Any gaskets showing signs of wear or deformation must be replaced.

Thoroughly clean the gasket grooves, apply ceramic glue (available from your local Jøtul dealer) and press the gasket well into place. The joint will dry quickly.

6.5 Exterior maintenance

Painted products may change colour after several years' usage. The surface should be cleaned and brushed free of any loose particles before new paint is applied.

Enamelled products must only be cleaned with a clean, dry cloth. Do not use water and soap. Any stains can be removed with a cleaning fluid (*oven cleaner etc.*).

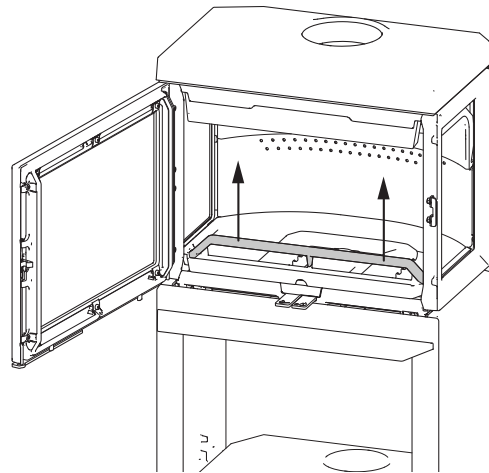
7.0 Servicing

Warning! Any unauthorised changes to the product are illegal! Only original spare parts may be used!

7.1 Service/replacing parts in the burn chamber

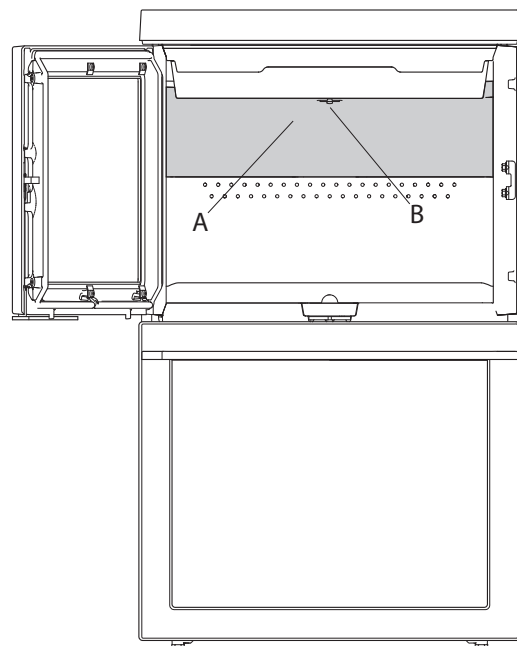
NB: Use tools with great care! The vermiculite plates may be damaged if treated roughly.

Fig. 14



1. First remove the log retainer

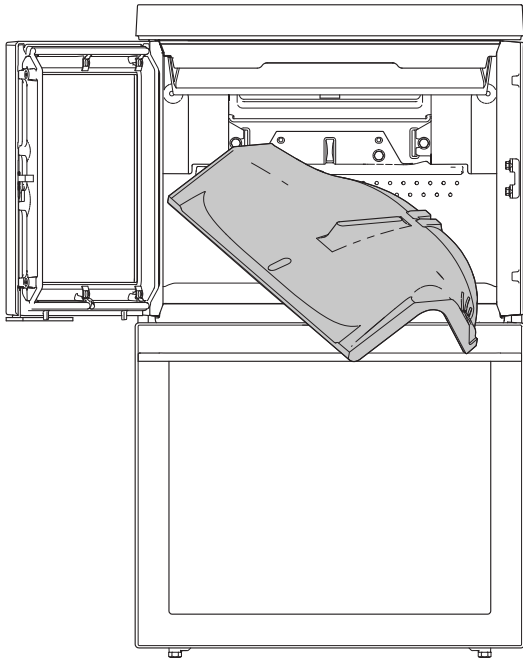
Fig. 15



2. First lift the baffle (A) up. Turn the key (B) 90° and then remove the key. Pull the back edge of the baffle down.

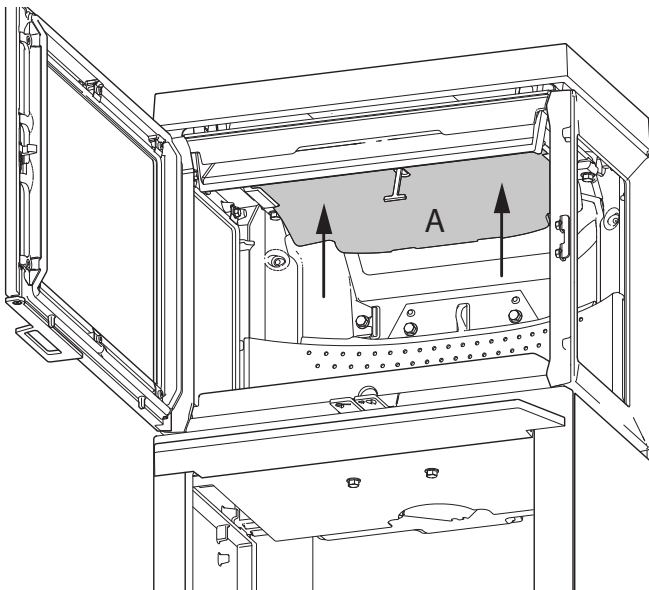
ENGLISH

Fig. 16



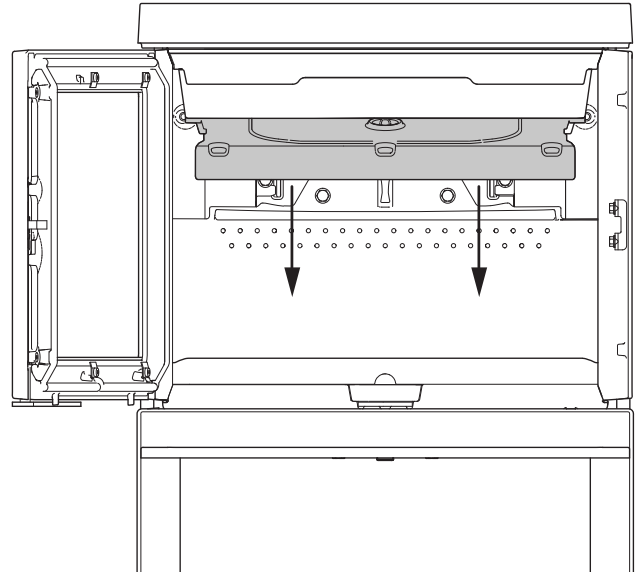
3. Turn one corner towards you and pull it out sideways.

Fig. 17



4. Then remove the exhaust deflector (**A**) by raising it slightly to begin with. Then push the exhaust deflector backwards.

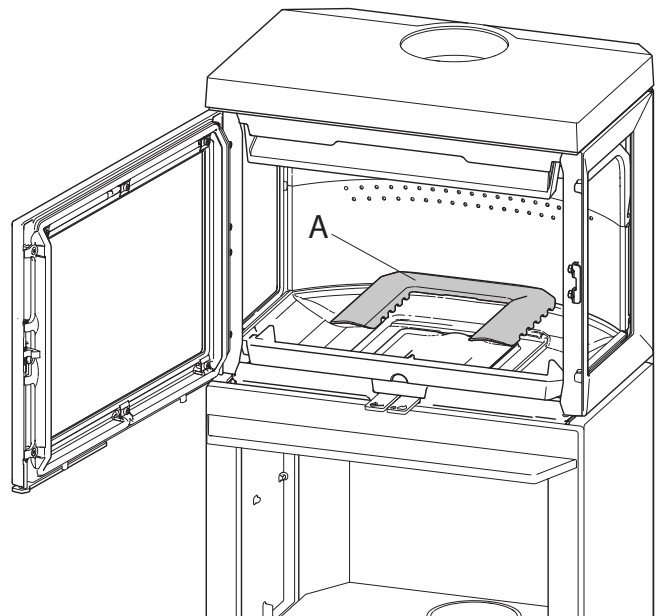
Fig. 18



5. Lower the exhaust deflector and lift it out.
6. When refitting, follow the same procedure in reverse order.

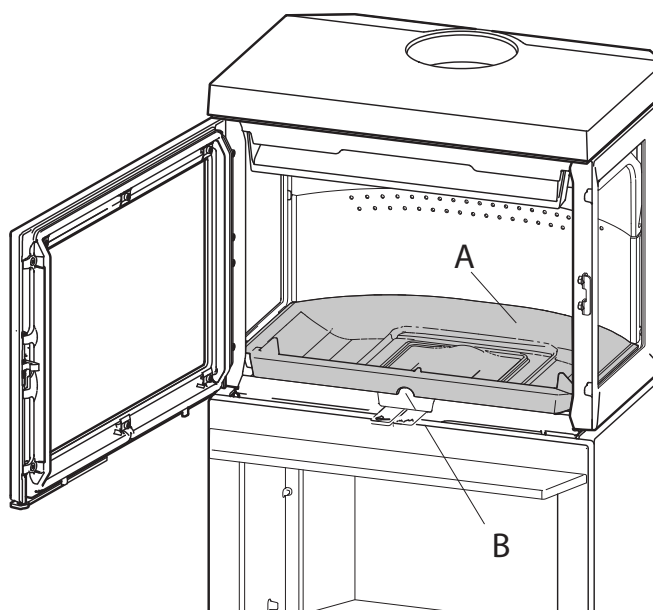
7.2 Replacing the air duct and inner bottom

Fig. 19



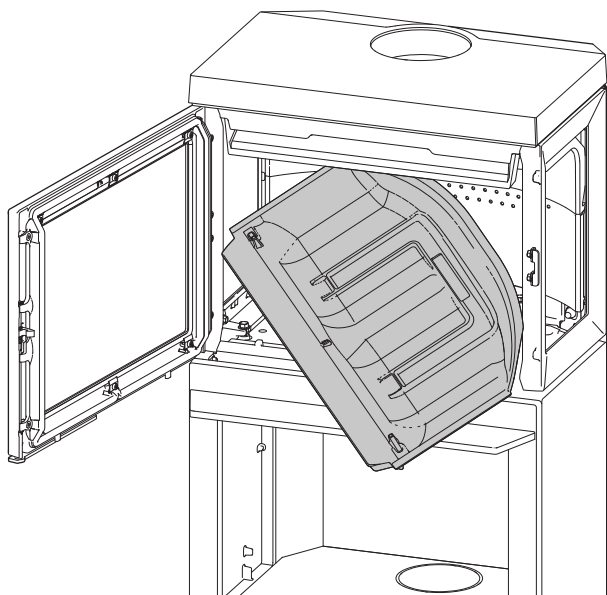
1. Lift the air duct (**A**) up and remove it.

Fig. 20



2. Take hold of the hole **(B)** at the front edge of the inner bottom **(A)** and lift it up.

Fig. 21

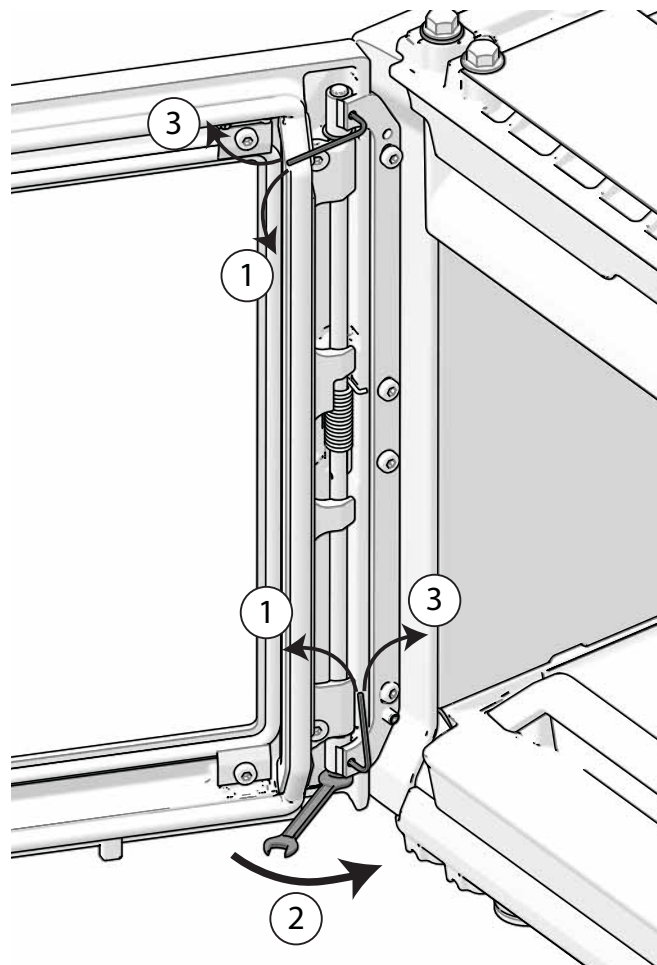


3. Turn one corner towards you and pull the inner bottom out.
4. When refitting, follow the same procedure in reverse order.

7.3 Self-closing door

By making this change, you make the door self-closing.

Fig. 22



1. Loosen the two Allen screws.
2. Tighten the screw on the underside.
3. Tighten the Allen screw again.

NB! This operation must be performed several times to achieve the desired effect.

ENGLISH

8.0 Operational problems - troubleshooting

Poor draught

Check the length of the chimney and that it complies with national laws and regulations. (See also «**2.0 Technical data**»). Make sure that the minimum cross section on the chimney is according to «**2.0 Technical data**» in the installation manual. Make sure that there is not anything preventing the smoke gasses from escaping: branches, trees, etc.

Upon suspicion of excessive/poor draught in the chimney, seek professional help for measurement and adjustment.

The fire extinguishes after a while

- Make sure that the firewood is sufficiently dry.
- Find out whether there is negative pressure in the house, close mechanical fans and open a window close to the fireplace.
- Check that the air vent is open.
- Check that the flue outlet is not clogged by soot.

Unusual amount of soot accumulates on the glass

Some soot will always stick to the glass, but the quantity depends on:

- Moisture in the fuel.
- The local draught conditions.
- Air vent opening.

Most of the soot will normally burn off when the air vent is opened all the way and a fire is burning briskly in the fireplace. (See «**6.1 Cleaning the glass**».)

9.0 Optional extras

9.1 Cover for outside air through the base

Item no. 51049688

9.2 Fresh air intake tube Ø80

Item no. 51047509

9.3 Fresh air intake tube Ø100

Item no. 51012164

9.4 Jøtul F 520 High Top

Item no. 51053360

9.5 Heat storage system

Item no. 10026701

9.6 Door lock, complete, left

For right-hinged door

Item no. 50045754

10.0 Recycling

10.1 Recycling packaging

Your fireplace is delivered with the following packaging:

- A wooden pallet that can be cut up and burned in the fireplace.
- Cardboard packaging that should be taken to a local recycling facility.
- Plastic bags that should be taken to a local recycling facility.

10.2 Recycling the fireplace

The fireplace is made of:

- Metal that should be taken to a local recycling facility.
- Glass that should be disposed of as hazardous waste. The glass in the fireplace must not be placed in a regular source segregation container.
- Vermiculite burn plates that can be disposed of in regular waste containers.

11.0 Guarantee terms

1. Our guarantee covers:

Jøtul AS guarantees that the external cast-iron parts are free from defects in materials or manufacturing at the time of purchase. You may extend the guarantee on the external cast-iron parts to 25 years from the date of delivery by registering the product on jotul.com, and print out the extended guarantee card within three months of purchase. We recommend that the guarantee card be kept together with the receipt. Jøtul AS also guarantees that steel plate parts are free from defects in materials or manufacturing at the time of purchase for a period of 5 years from the date of delivery.

The guarantee applies on the condition that the stove has been installed by a qualified installer in accordance with applicable laws and regulations and Jøtul's installation and operating instructions. Repaired products and replacement items are guaranteed within the original guarantee period.

2. The guarantee does not cover:

- 2.1. Damage to consumables such as burn plates, fire grates, flue baffles, gaskets and similar as these deteriorate over time due to normal wear and tear.
- 2.2. Damage caused as a result of improper maintenance, overheating, use of unsuitable fuel (e.g. of unsuitable fuel are, but not limited to driftwood, impregnated wood, plank offcuts, chipboard) or too moist / wet wood.
- 2.3. Installation of optional extras for the purpose of rectifying local draught conditions, air supply or other circumstances beyond Jøtul's control.
- 2.4. Cases involving alterations / modifications to the fireplace without Jøtul's consent or the use of non-original parts.
- 2.5. Damage caused during storage at a distributor, transport from a distributor or during installation.
- 2.6. Products sold by unauthorized sellers in areas where Jøtul operates a selective distribution system.
- 2.7. Associated cost (e.g. but not limited to, transport, manpower, travel) or indirect damages.

Pellets stoves, glass, stone, concrete, enamel and paint finish (e.g. but not limited to chipping, cracking, bubbling or discolouration and crazing) are applicable to the national legislation governing the sale of consumer goods. This guarantee is valid for purchases made within the territory of the European Economic Area. All guarantee inquiries must be addressed to your local authorized Jøtul dealer within a reasonable amount of time, which shall not be later than 14 days from the date on which the fault or defect first became apparent. See list of importers and dealers on our web site www.jotul.com.

If Jøtul is unable to meet the obligations outlined in the above guarantee terms, Jøtul will offer a replacement product with a similar heating capacity free of charge.


Jøtul reserve the right to decline of any replacement of parts or service in the event that the guarantee is not registered online. This guarantee does not affect any rights under applicable national legislation governing the sale of consumer goods. The national complaint right applies from the purchase date and only in exchange for a receipt / serial number.

DEUTSCH

Inhalt

| | |
|---|----|
| 1.0 Behördliche Auflagen..... | 20 |
| 2.0 Technische Daten..... | 20 |
| 3.0 Sicherheit..... | 21 |
| 4.0 Installation | 25 |
| 5.0 Tägliche Nutzung..... | 28 |
| 6.0 Pflege..... | 30 |
| 7.0 Instandhaltung | 31 |
| 8.0 Betriebsstörungen - Fehlersuche | 33 |
| 9.0 Zusatzausstattung | 34 |
| 10.0 Recycling | 34 |
| 11.0 Garantiebedingungen | 34 |

Registrieren Sie Ihren Kamin bei jotul.com für eine 25-jährige Garantie.

| | | | |
|---|----------------|------------------------|--|
| Product: Jøtul Room heater fired by solid fuel | | | |
|  | | | |
| Standard Minimum distance to adjacent combustible materials Minimum distance to adjacent non-combustible materials Emission of CO in combustion products Flue gas temperature Nominal heat output Efficiency Operation range Fuel type Operational type The appliance can be used in a shared flue. | | | |
| Country | Classification | Certification standard | Approved by |
| Norway | Klasse II | | |
| Sweden | occ | SP | SP-Sveriges Provnings- och Forskningsinstitut AB |
| EUR | Intermittent | EN | SP-Swedish National Testing and Research Institute |
| Follow user's instructions. Use only recommended fuels. Montage- und Bedienungsanleitung beachten. Verwenden Sie nur empfohlenen Brennstoffen. Respectez les consignes d'utilisation. Utilisez uniquement les combustibles recommandés. | | | |
| Lot no: Y-xxxx, Year: 200x | | | |
| Manufacturer: Jøtul AS P.O. 1441 N-1602 Fredrikstad Norway | | 221546 | |

Auf allen Produkten ist ein Schild mit der Seriennummer und dem Baujahr angebracht. Schreiben Sie diese Nummer an die in den Aufstellungsanweisungen angegebene Stelle. Nennen Sie immer diese Seriennummer, wenn Sie sich an den Händler oder an Jøtul wenden.

Lot no. Pin.

1.0 Behördliche Auflagen

Die Kamininstallation muss gemäß den geltenden nationalen Gesetzen und Regelungen erfolgen.

Bei der Produktinstallation müssen alle lokalen und nationalen Bestimmungen sowie europäische Richtlinien eingehalten werden.

Das Produkt wird mit einer Montageanleitung mit technischen Daten sowie einer allgemeinen Verwendungs- und Pflegeanleitung ausgeliefert. Die Installation darf erst nach Abnahme und Freigabe durch eine autorisierte Instanz in Betrieb genommen werden.

Eine Plakette mit Produktinformationen aus hitzebeständigem Material befindet sich auf dem Hitzeschild an der Rückseite des Produkts. Sie enthält Informationen über Kennzeichnung und Dokumentation des Produkts.

2.0 Technische Daten

| | |
|-------------------------------------|---------------------|
| Material: | Gusseisen |
| Oberfläche: | Lackiert |
| Brennstofftyp: | Holz |
| Max. Scheitlänge: | 30 - 50 cm |
| Rauchabzug: | Oben |
| Rauchgasrohrmaße: | Ø 150 mm |
| Gewicht: | |
| Jøtul F 520: | Ca. 170 kg |
| Jøtul F 520 + Jøtul F 520 High Top: | Ca. 201 kg |
| Produktabmessungen, Abstände: | Siehe Abb. 1 |

Technische Daten gemäß EN 13240

| | |
|--|--------------------------------|
| Nennheizleistung: | 7 kW |
| Wirkungsgrad: | 77% |
| CO-Emissionen (13% O ₂): | 0,07% |
| CO-Emissionen (13% O ₂): | 884 mg/Nm ³ |
| OGC-Emissionen (13% O ₂): | 60 mg/Nm ³ |
| Staubemissionen (13% O ₂): | 14 mg/Nm ³ |
| Rauchgastemperatur: | 305°C |
| Rauchgasdurchfluss: | 7,1 g/s |
| Schornsteinzug, EN 13240: | 12 Pa |
| Empfohlener Zug mit Rauchabzug: | 16-18 Pa |
| Brennstoffverbrauch: | 2,3 kg/h |
| Anmachholzmenge: | 1,7 kg |
| Max. Anmachholzmenge: | jeweils 3,4 kg und 3,8 kg/h |
| Betrieb: | Periodisch |

Als periodische Verbrennung wird hier der normale Gebrauch eines Ofens bezeichnet. Um weiterhin Wärme zu erzeugen, legen Sie mehr Brennstoff nach, wenn von der vorherigen Holzladung nur noch Glut übrig ist.

3.0 Sicherheit

Hinweis: Um maximale Leistung und Sicherheit zu gewährleisten, empfiehlt Jøtul, seine Kamine von ausgebildetem Fachpersonal installieren zu lassen. (Eine vollständige Händlerliste finden Sie unter www.jotul.com).

Jegliche Veränderungen am Produkt, die durch einen Händler, Installateur oder Kunden vorgenommen werden, können dazu führen, dass das Produkt oder seine Sicherheitsfunktionen nicht wie vorgesehen arbeiten. Dasselbe gilt für die Installation von Zubehör oder Zusatzausstattung, die nicht von Jøtul geliefert wird. Dies kann ebenfalls gelten, wenn wichtige Komponenten für Funktionsweise und Sicherheit demontiert oder entfernt wurden.

In allen genannten Fällen haftet der Hersteller nicht für das Produkt und sämtliche Garantieransprüche erlöschen.

Hinweis: Teile des Kaminofens, insbesondere die äußeren Oberflächen, erhitzen sich bei der Verbrennung! Lassen Sie daher besondere Vorsicht walten!

3.1 Brandschutzmaßnahmen

Jede Nutzung des Kamins stellt eine potenzielle Gefahrensituation dar. Daher müssen die folgenden Vorgaben befolgt werden:

- Die minimalen Sicherheitsabstände für die Kaminnutzung werden auf **Abb. 1** angegeben.
- Stellen Sie sicher, dass sich Möbel und andere brennbare Materialien nicht zu dicht am Kamin befinden. Brennbare Materialien müssen mindestens 1100 mm vom Kamin entfernt sein.
- Lassen Sie das Feuer vollständig herunterbrennen. Löschen Sie niemals Flammen mit Wasser.
- Ein entzündeter Kamin ist heiß und kann bei Berührung Verletzungen hervorrufen.
- Entfernen Sie nur dann Asche, wenn der Kamin abgekühlt ist. Asche kann heiße Glut enthalten und sollte daher in einen nicht brennbaren Behälter gefüllt werden.

Asche ist im Außenbereich aufzubewahren oder an einem Ort zu entleeren, an dem keine potenzielle Feuergefahr besteht.

Im Falle eines Feuers im Schornstein

- Schließen Sie alle Be- und Entlüftungsöffnungen.
- Halten Sie die Brennkammertür geschlossen.
- Überprüfen Sie Dachboden und Keller auf Rauch.
- Rufen Sie die Feuerwehr.
- Vor dem erneuten Betrieb nach einem Feuer muss der Schornsteinfeger Kamin und Schornstein überprüfen, um deren vollständige Funktionstüchtigkeit sicherzustellen.

Stahlschornstein

Wenn an der Oberseite ein Stahlschornstein angebracht wird, muss ein nicht isoliertes Rohr von der Brennkammer bis **ca. 10 mm** über den oberen Rost geführt werden. Stellen Sie sicher, dass die Dichtung korrekt zwischen Rauchgasrohr und Rauchabzug sitzt. Montieren Sie anschließend den Stahlschornstein gemäß den Installationsanweisungen des Schornsteinlieferanten.

3.2 Boden

Fundament

Stellen Sie sicher, dass das Fundament für einen Kamin ausgelegt ist. Das Gewicht geht aus Abschnitt **2.0 Technische Daten** hervor.

Es wird empfohlen, schwimmend verlegte Böden, die nicht mit dem Fundament verbunden sind, unter der Installation zu entfernen.

Anforderungen für den Schutz von Holzfußböden unter dem Kamin

Produkt mit Beine muß eine Fußbodenplatte unter und vorne des Produkts haben und gemäß den geltenden nationalen Gesetzen und Regelungen erfolgen.

Fußbodenplatten sollen den Boden und brennbare Materialien vor Glut schützen. Es empfiehlt sich dass brennbare Bodenbeläge – z. B. Linoleum, Teppiche usw. – unter der Brandschutzplatte entfernt werden.

Hinweis: Der Platz unter dem Produkt mit Beine kann nicht als Lagerungsstelle benutzt werden.

Anforderungen für den Schutz von brennbaren Böden vor dem Kamin

Die Frontplatte muss den geltenden nationalen Gesetzen und Regelungen entsprechen.

Bei der örtlichen Baubehörde erhalten Sie Informationen zu Einschränkungen und Auflagen bei der Installation.

3.3 Wände

Abstand zu Wänden aus brennbaren Materialien gehen aus **Abb. 1a** hervor.

Der Kamin kann mit einem nicht isolierten Rauchgasrohr eingesetzt werden, wenn die Abstände zwischen Kamin und Wänden aus brennbaren Materialien den Vorgaben auf **Abb. 1b** entsprechen.

Hinweis: Stellen Sie das Produkt so auf, dass Kaminofen, Rauchgasrohr und Schornsteindurchlass gereinigt werden können. **Hinweis:** Vergewissern Sie sich, dass Möbel u.a. Haushaltsgegenstände nicht zu nahe am Kaminofen stehen, damit sie nicht austrocknen.

Stellen Sie sicher, dass sich Möbel und andere brennbare Materialien nicht zu dicht am Kamin befinden. Brennbare Materialien müssen **mindestens 1100 mm** vom Kamin entfernt sein.

3.4 Decke

Wenn die Decke über dem Kamin aus brennbarem Material besteht, beträgt der Mindestabstand zwischen Kamin und Decke **750 mm**.

Jøtul F 520 / Jøtul F 520 High Top

Fig. 1a

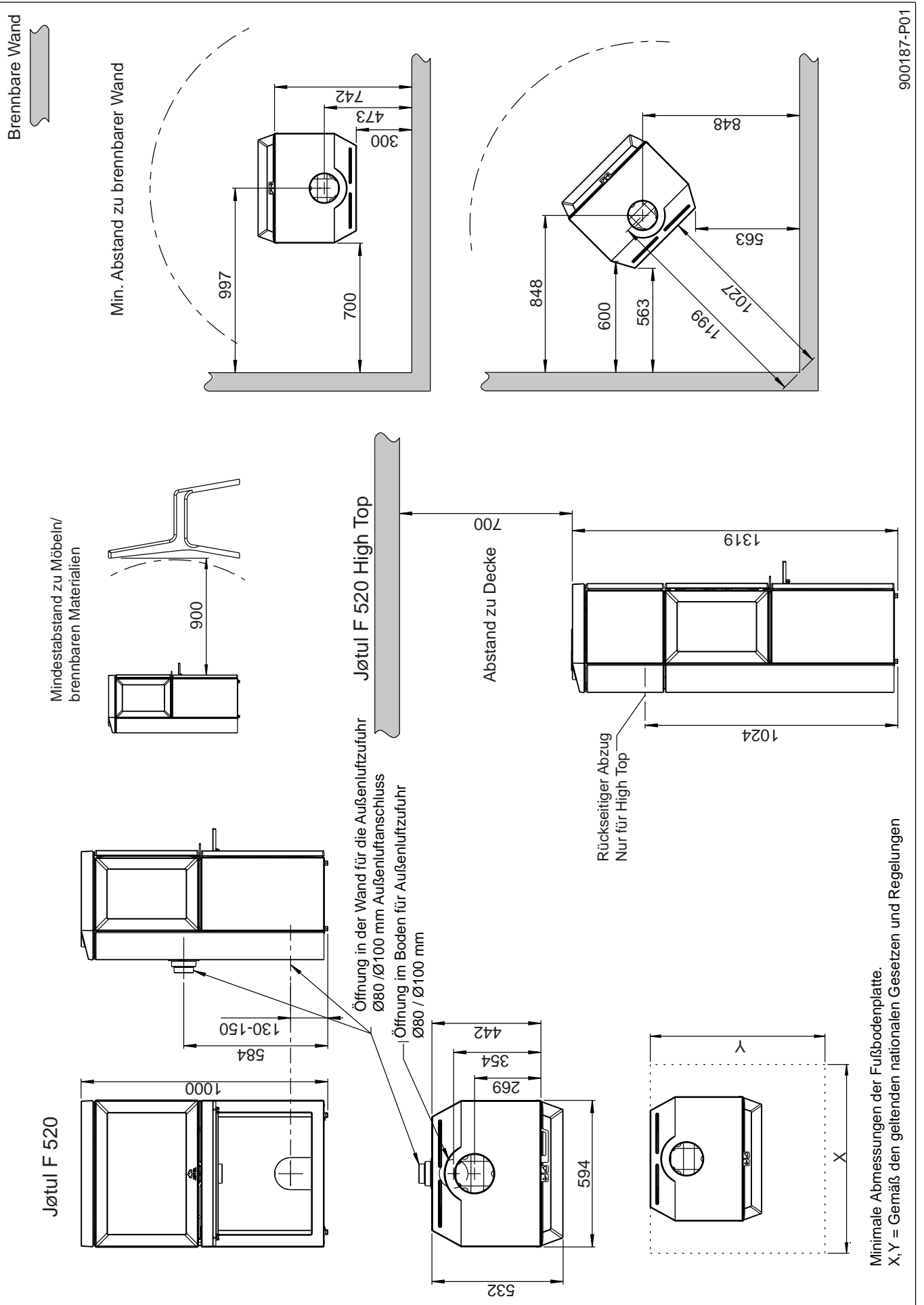


Abb. 1 b

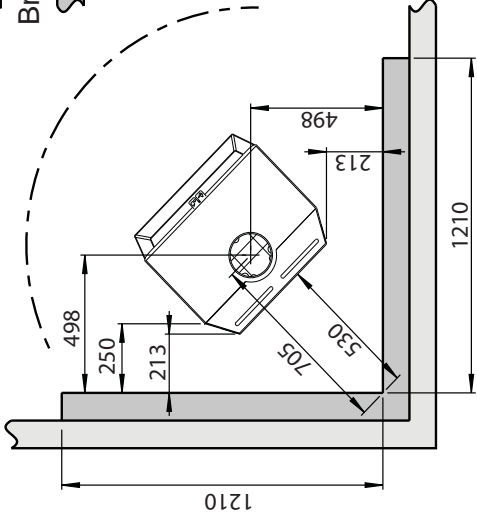
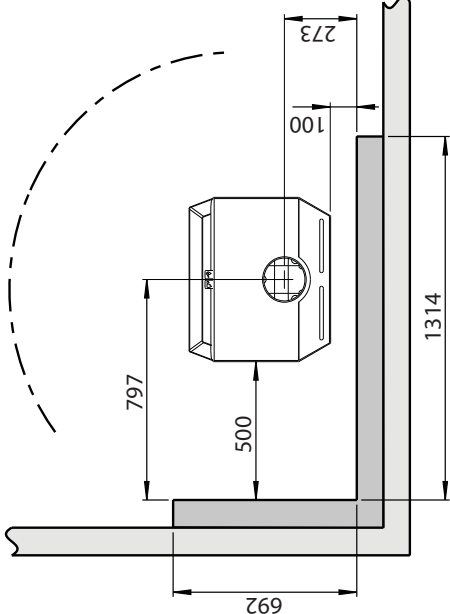
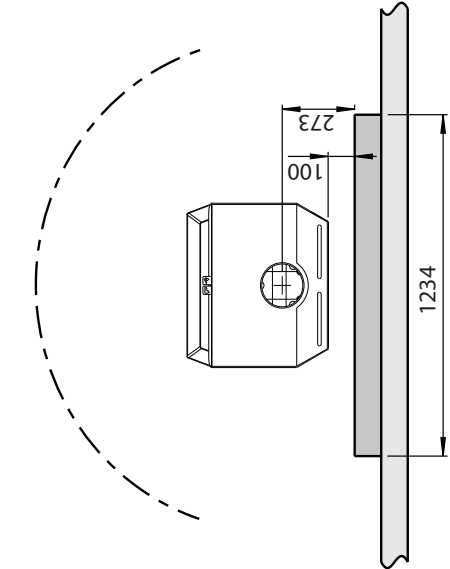
Jøtul F 520 / Jøtul F 520 High Top

Min. Abstand zu brennbarer Wand die von Brandmauer geschützt ist

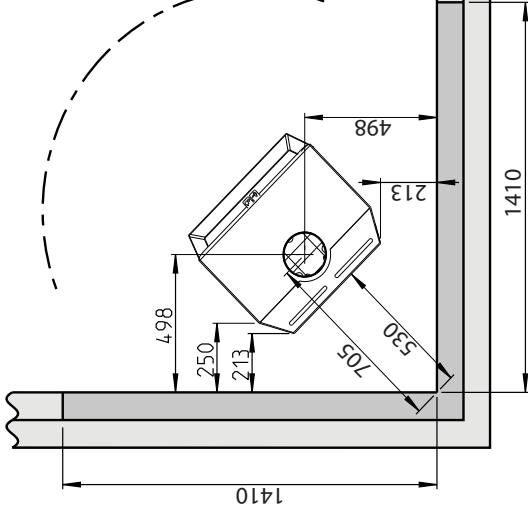
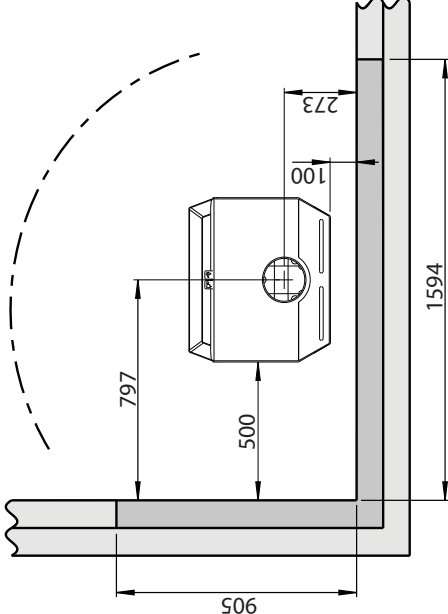
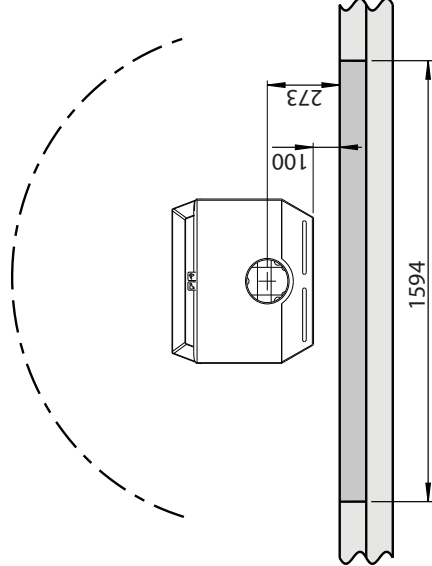
Extern

Brennbare Wand

Brandmauer



Integriert



DEUTSCH

Frischluftzufuhr

Die für eine Verbrennung benötigte Luft muss in jedem gut isolierten Haus ersetzt werden. Dies ist insbesondere in Häusern mit mechanischer Lüftung wichtig. Diese Ersatzluft lässt sich auf verschiedene Weise beschaffen. Dabei kommt es darauf an, die Luft in den Raum zu leiten, wo sich der Kaminofen befindet. Positionieren Sie daher die Außenwandventile so nahe wie möglich am Kaminofen. Stellen Sie sicher, dass sie geschlossen werden können, wenn der Kaminofen nicht verwendet wird.

Beim Frischluftanschluss sind die nationalen und lokalen Bauvorschriften zu befolgen.

Geschlossenes Verbrennungssystem

Verwenden Sie das geschlossene Verbrennungssystem des Kaminofens, wenn Sie in kürzlich errichteten luftdichten Wohnungen leben. Schließen Sie die externe Verbrennungsluft mithilfe eines Entlüftungsrohrs über die Wand oder den Boden an.

Luftzirkulation

Die Verbrennungsluftmenge für Jøtul-Produkte beträgt ca. 20-40 m³/h. Der Außenluftanschluss kann wie folgt direkt mit Jøtul F 105 verbunden werden:

- Boden
- über einen flexiblen Schlauch von außen bzw. vom Kamin (nur, wenn der Schornstein über einen eigenen Außenluftkanal verfügt), der zum Außenluftanschluss des Produkts führt.

Abb. 2A, durch eine Außenwand

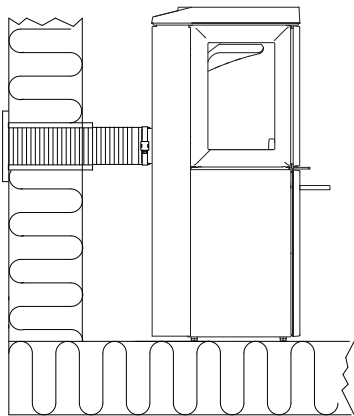


Abb. 2B, durch Fußboden und Bodenplatte

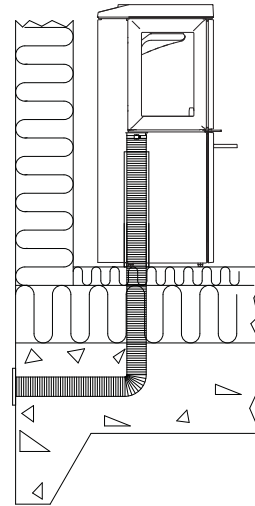


Abb. 2C, durch Fußboden und Fundament

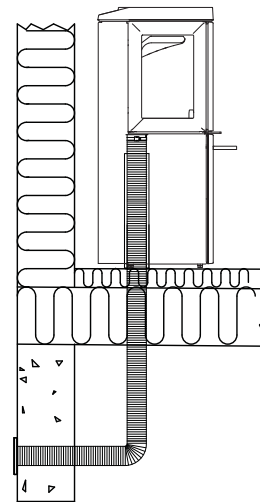
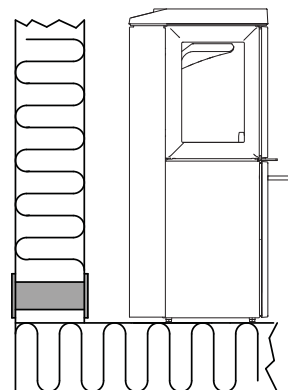


Abb. 2D, indirekt durch eine Außenwand



4.0 Installation

Hinweis: Vergewissern Sie sich vor Beginn der Installation, dass der Kamin unversehrt ist.

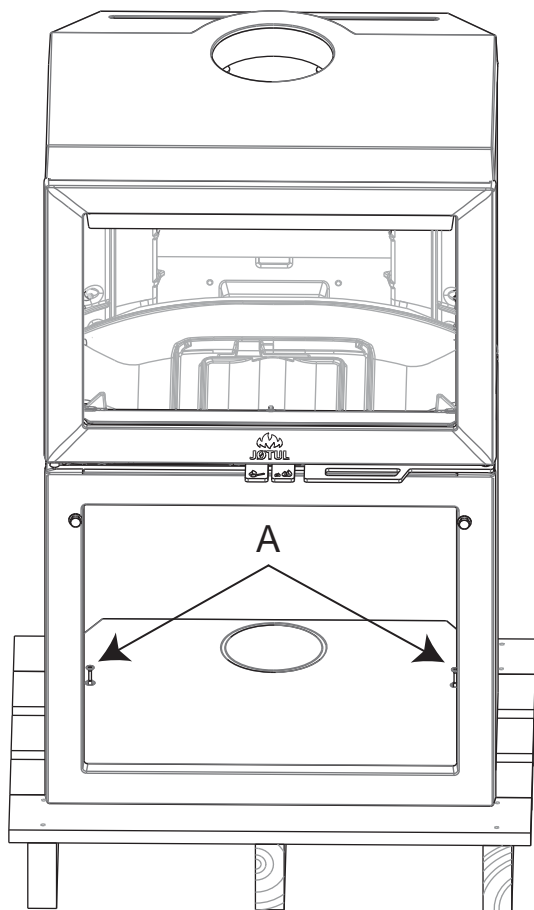
Hinweis: Das Produkt ist schwer! Bei Positionierung und Installation benötigen Sie Hilfe. Stellen Sie sicher, dass das Produkt nicht umkippt.

Hinweis: Stellen Sie nichts auf die Deckplatte des Kaminofens. Andernfalls können bleibende Schäden an Lack-/Emaillioberflächen entstehen.

Hinweis: Lesen Sie die Montage- und Bedienungsanleitung aufmerksam durch, bevor Sie den Kamin installieren!

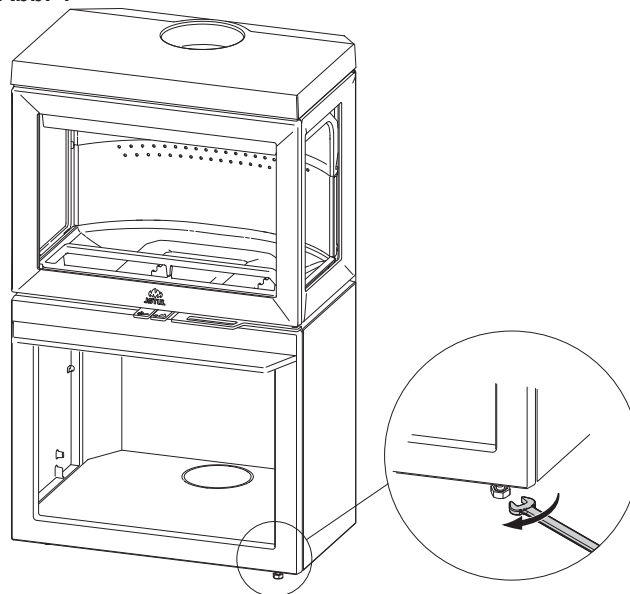
4.1 Vorbereitungen für Jøtul F 520

Abb. 3



1. Entfernen Sie die vier Transporterschrauben (**A**) zur Befestigung des Kaminofens auf der Holzpalette.
2. Lassen Sie den Kaminofen auf der Transportpalette stehen.
3. Prüfen Sie, ob sich der Einstellhebel (**B**) leicht bewegt.

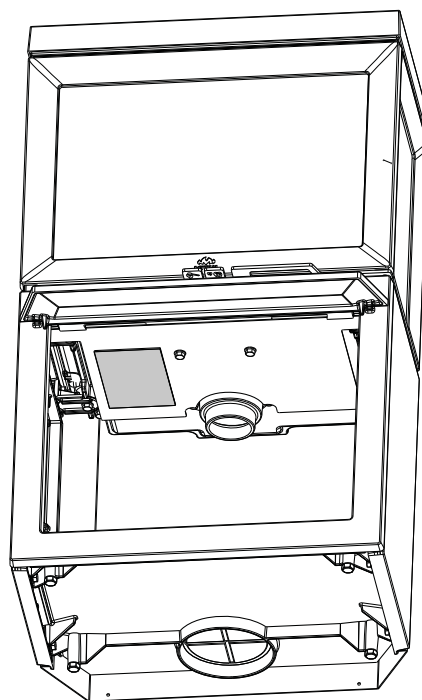
Abb. 4



4. Heben Sie den Kaminofen von der Palette.
5. Stellen Sie den Kaminofen auf und richten Sie ihn mit den vier Höheneinstellschrauben und einem Steckschlüssel horizontal aus. Erstellen Sie eine Kennzeichnung an der Wand, wenn ein Rauchgasrohrabzug an der Rückseite und eine Außenluftzufuhr erforderlich sind.

Zulassungsetikett

Abb. 5



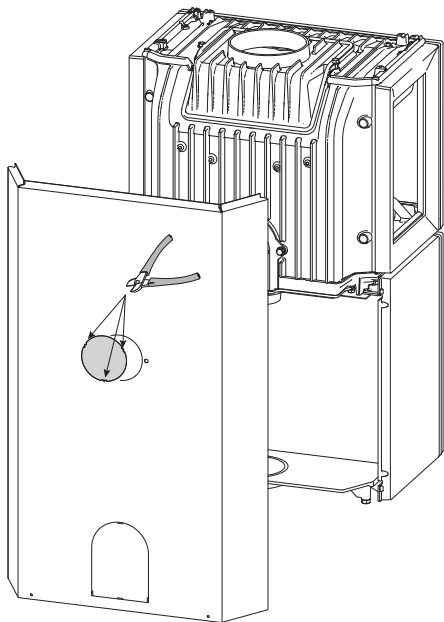
DEUTSCH

4.2 Außenluftzufuhr

Durch einen rückseitigen Abzug

Der Jøtul F 520 ist vorbereitet für externe Verbrennungsluftversorgung von unten. Wenn gewünscht, kann die Luftversorgung auch nach hinten montiert werden.

Abb. 6



1. Die vorgestanzte Platte mittels einer Beißzange abmontieren

Alternativ durch einen rückseitigen Abzug

Abb. 6b

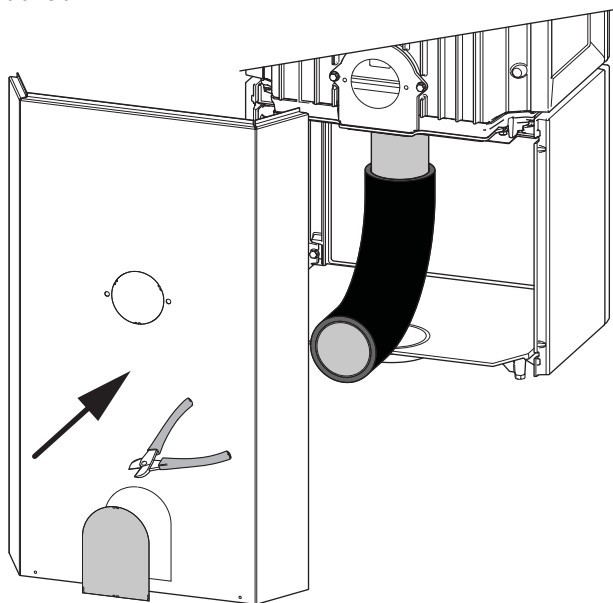
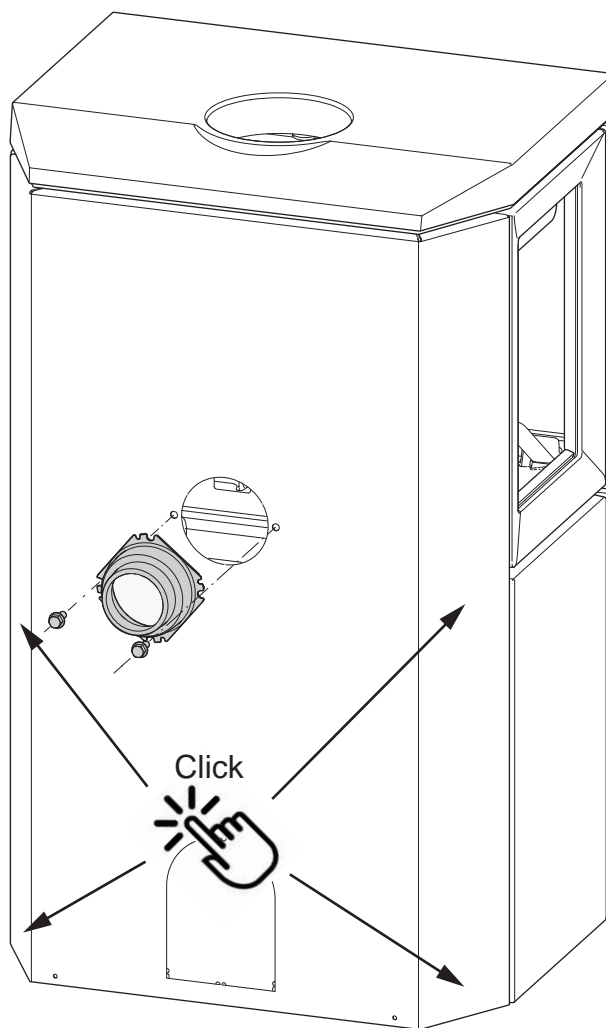
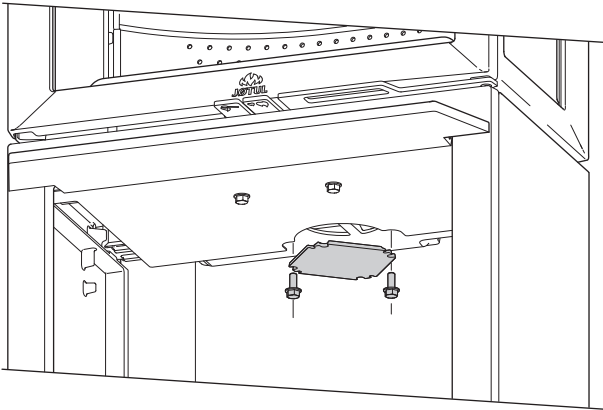


Abb. 7



2. Den Stutzen für Außenluft unten abmontieren und hinten montieren
3. Angaben zur Befestigung des Ø80 / Ø100-Rohrs für den Frischluftereinlass (Zusatzausstattung – Art.nr. 51047509 / 51012164) entnehmen Sie dem Handbuch (Art.nr. 10047508), das dem Außenluftset beiliegt. Befestigen Sie den Schlauch per Schlauchklemme am Außenluftanschluss. Die Isolierung des Außenluftschlauchs endet ca. 100 mm unter der Brennkammer.

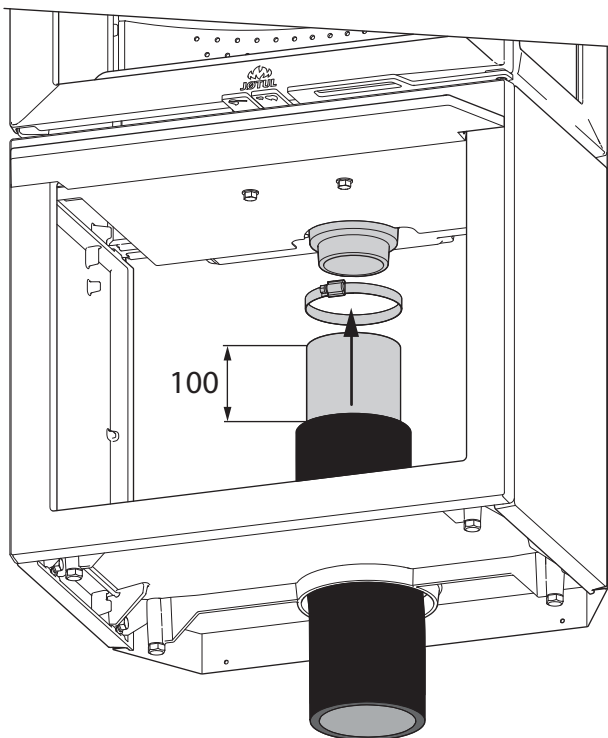
Abb. 8



4. Danach das Loch unter dem Ofen mit dem Deckel (Zubehör) versehen.

Durch den Boden

Abb. 9



5. Die vorgestanzte Platte mittels eines kräftigen Holzhammers o.ä. ausschlagen.
6. Das Flexrohr durch den Fußboden bis zum Stutzen für Außenluft ziehen und auf dem Stutzen mittels einer Schlauchklemme befestigen.
7. Angaben zur Befestigung des Ø80 / Ø100-Rohrs für den Frischlufteinlass (Zusatzausstattung – Art.nr. 51047509 / 51012164) entnehmen Sie dem Handbuch (Art.nr. 10047508), das dem Außenluftset beiliegt. Befestigen Sie den Schlauch per Schlauchklemme am Außenluftanschluss. Die Isolierung des Außenluftschlauchs **endet ca. 100 mm unter der Brennkammer.**

4.3 Schornstein und Rauchgasrohr

- Der Kamin darf nur mit einem Schornstein und einem Rauchgasrohr verbunden werden, die für Festbrennstoffkamine mit Rauchgastemperaturen gemäß Abschnitt **2.0 Technische Daten** zugelassen sind.
- Der Schornsteinquerschnitt muss für den Kamin dimensioniert sein. Mithilfe des Abschnitts **2.0 Technische Daten** berechnen Sie den korrekten Schornsteinquerschnitt.
- Es können mehrere Festbrennstofföfen an dasselbe Schornsteinsystem angeschlossen werden, wenn ein entsprechender Querschnitt vorliegt. Hinweis: Informieren Sie sich in den geltenden Regelungen und Vorschriften darüber, was zulässig ist. Selbst ein hervorragender Schornstein kann unzureichend funktionieren, wenn er falsch verwendet wird.
- Der Schornstein muss gemäß den Installationsanweisungen des Schornsteinlieferanten befestigt werden.
- Bevor ein Loch im Schornstein angebracht wird, sollte das Produkt testweise montiert werden, damit eine korrekte Kennzeichnung des Kamins und des Schornsteinlochs erfolgen kann. Die minimalen Abstände gehen aus **Abb. 1** hervor.
- Stellen Sie sicher, dass das Rauchgasrohr über die gesamte Strecke zum Schornstein ansteigt.
- Stellen Sie sicher, dass der Bereich am Abzug an der Rückseite und an der Oberseite gekehrt werden kann. Nutzen Sie bei Bedarf ein Rauchgasrohr mit Reinigungsklappe.
- Der empfohlene Schornsteinzug geht aus dem Abschnitt **2.0 Technische Daten** hervor. Die Rauchrohrabmessungen mit dem entsprechenden Querschnitt gehen aus Abschnitt **2.0 Technische Daten** hervor.

Hinweis: Die minimal empfohlene Schornsteinlänge beträgt 3,5 m ab dem Rauchgasrohreinlass. Bei einem zu starken Zug kann ein Dämpfer für das Rauchgasrohr installiert und zur Zugminderung eingesetzt werden.

Betrieb bei verschiedenen Witterungsbedingungen

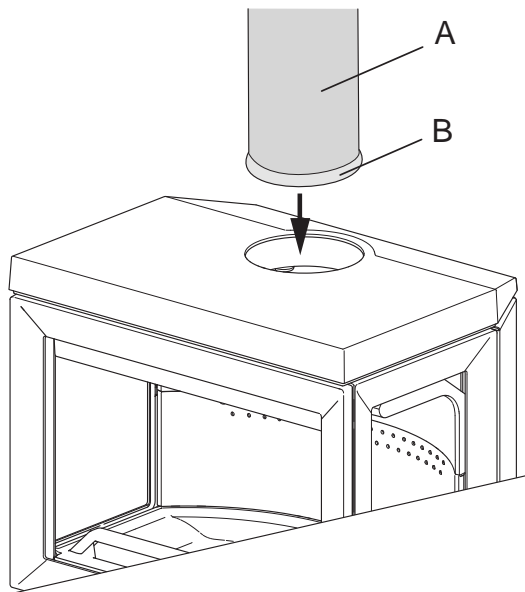
Der Wind kann sich mit seinen verschiedenen Böenlasten maßgeblich auf die Funktionsweise des Schornsteins auswirken. Eine Einstellung der Luftzufuhr kann notwendig sein, um eine gute Verbrennung zu erzielen.

4.4 Rauchgasrohr bei Abzug an der Oberseite anbringen

Das Produkt wird werkseitig mit dem Rauchabzug an der Oberseite ausgeliefert.

DEUTSCH

Abb. 10

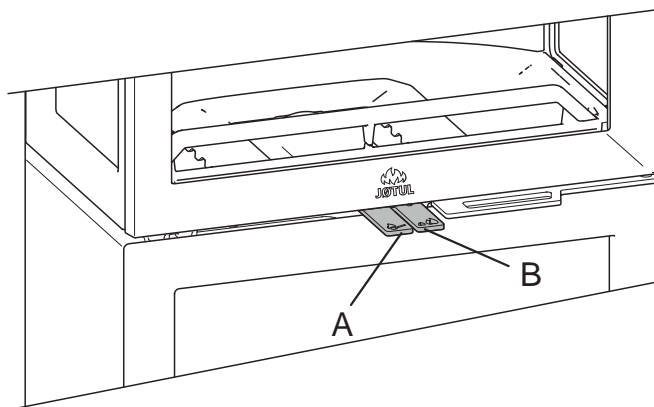


1. Führen Sie das Rauchgasrohr (A) durch die Deckplatte und positionieren Sie es im Rauchabzug an der Oberseite.
2. Schließen Sie die Verbindung mit einer Dichtung (B).

4.5 Leistungsprüfung

Kontrollieren Sie nach der Produktmontage stets den Einstellhebel. Er sollte sich einfach bewegen lassen und einwandfrei funktionieren.

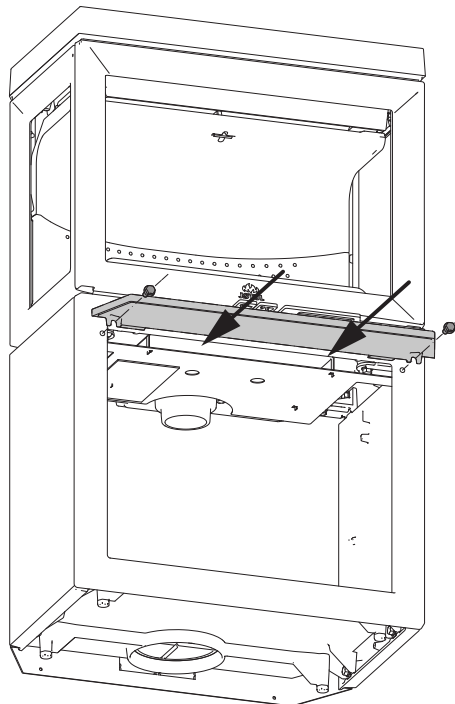
Abb. 11



Jøtul F 520 ist mit folgenden Bedienoptionen ausgestattet:

- Ziehen Sie den Zündungsregler (A) heraus (die Luftzufuhr (B) passt sich automatisch an).

4.6 Montage von Asche Lippe



5.0 Tägliche Nutzung

Geruch beim erstmaligen Benutzen des Kamins

Wenn der Kamin zum ersten Mal genutzt wird, kann ein Gas mit einem leicht störenden Geruch austreten. Dies liegt daran, dass der Anstrich trocknet. Dieses Gas ist ungiftig. Dennoch sollte Raum gründlich gelüftet werden. Lassen Sie das Feuer mit starkem Zug brennen, bis sich das Gas komplett verflüchtigt hat und weder Rauch noch Geruch wahrgenommen werden können.

Tipp fürs Heizen

Hinweis: Holz, das im Außenbereich oder in einer kalten Umgebung gelagert wurden, sollten 24 h vor der Verwendung nach innen gebracht werden, damit sie Raumtemperatur annehmen können.

Es bestehen mehrere Möglichkeiten, den Kaminofen zu beheizen. Achten Sie jedoch stets darauf, womit Sie den Ofen befeuern. Siehe Abschnitt "Holzqualität".

Wichtiger Hinweis! Eine unzureichende Luftzufuhr kann eine unvollständige Verbrennung, hohe Emissionswerte und einen niedrigen Wirkungsgrad verursachen.

Holzqualität

Als Qualitätsholz bezeichnen wir die meisten bekannten Holzarten wie Birke, Fichte und Kiefer.

Das Holz sollten getrocknet werden, damit der Feuchtigkeitsgehalt nicht über 20% liegt.

Dazu müssen das Holz im Spätwinter gesägt werden. Zerhacken und stapeln Sie das Holz so, dass eine gute Ventilation vorliegt. Holzstapel sind mit einer Abdeckung vor Regen zu schützen. Bringen Sie die Scheite im Frühherbst in den Innenbereich und stapeln bzw. lagern Sie sie dort für den Winter.

Folgende Materialien dürfen unter keinen Umständen als Kaminbrennstoff verwendet werden:

- Hausmüll, Kunststofftüten usw.
- Angestrichenes oder imprägniertes Holz (extrem giftig).
- Schichtholzplanken.
- Treibholz
- Diese Materialien beschädigen das Produkt und sind außerdem umweltschädlich.

Hinweis: Verwenden Sie nie Benzin, Paraffin, Brennspritus oder ähnliche Substanzen, um das Feuer zu entzünden. Andernfalls besteht die Gefahr für schwere Verletzungen oder Beschädigungen des Produkts.

Empfohlene Scheitgröße:

Anmachholz (kleingespaltenes Holz):

Länge: 30-50 cm

Durchmesser: 6-10 cm

Anmachholzmenge: 3 Scheite mit einem Gewicht von jeweils 0,6-0,8 kg und 10-12 Holzstücke mit einem Gesamtgewicht von ca. 1 kg.

Feuer schüren:

Holz (Spaltholz):

Länge: 30-50 cm

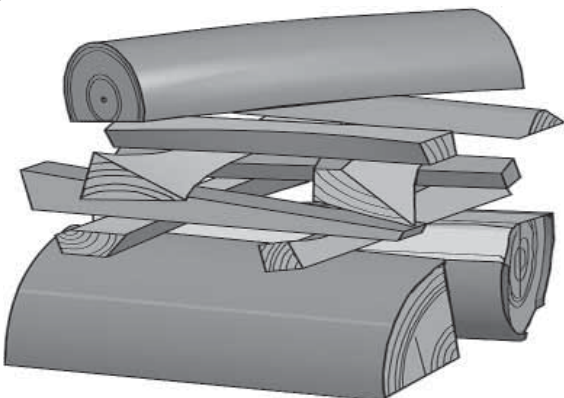
Jeweils benötigte Menge: 2 oder 3 Scheite mit einem Gewicht von jeweils 0,7 kg; also jedesmal 1,5-2,0 kg.

Nachlegehäufigkeit: ca. alle 50 min

Die Nennheizleistung wird erreicht, wenn die Luftzufuhr etwa 40-70% und der Zündungsregler 0-50% geöffnet ist.

Erstes Anmachen

Abb. 12



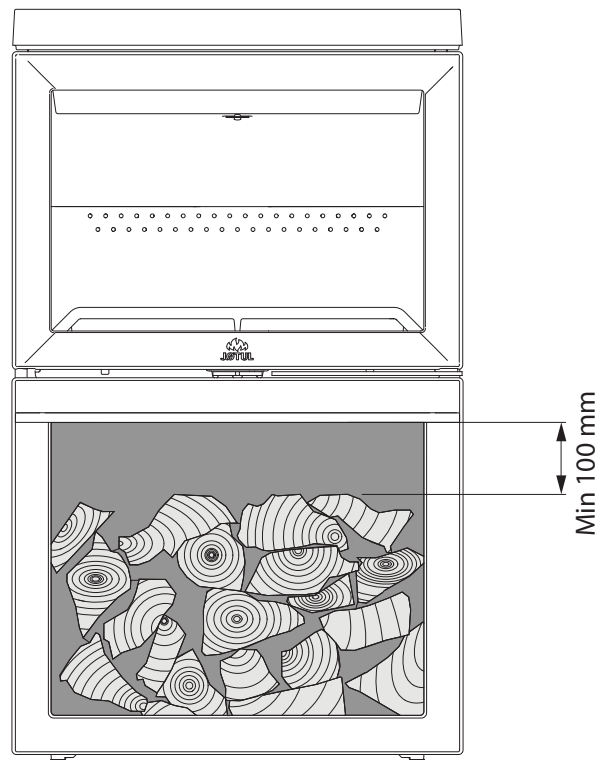
- Öffnen Sie Luftzufuhr.
- Legen Sie zwei Scheite auf den Boden der Brennkammer und stapeln Sie schichtweise Anmachholz darüber.
- Legen Sie oben auf den Stapel einen mittelgroßen Scheit.
- Legen Sie 2-3 Briketts oder Anmachholzstücke unter die oberste Anmachholzschicht und entzünden Sie das Feuer.
- **Hinweis:** Der Holzstapel sollte maximal bis direkt unter die horizontalen Löcher reichen. Die Löcher dürfen nicht blockiert werden.
- Schließen Sie den Zündungsregler (**Abb. 32 B**), wenn das Holz ordentlich Feuer gefangen hat und stabil brennt.
- Sie können per Luftzufuhr (**Abb. 32**) die Verbrennungsintensität regeln und so die gewünschte Wärmemenge einstellen.
- Stellen Sie sicher, dass die Nachverbrennung (Sekundärverbrennung) startet. Dies ist am besten an gelb flackernden Flammen vor den Löchern unter dem Leitblech erkennbar.
- Bei einem normalen Luftstrom können Sie die Tür schließen, woraufhin das Feuer weiter brennt.

Brennholz nachlegen

Legen Sie häufig geringe Mengen von Brennstoff im Kaminofen nach. Wenn sich zu viel Brennstoff im Kaminofen befindet, kann die entstehende Hitze eine extreme Belastung für den Schornstein darstellen. Legen Sie daher nicht zu viel Brennstoff nach. Schwelende Feuer sollten vermieden werden, da diese die höchsten Emissionen verursachen. Das perfekte Feuer brennt intensiv, wobei der Rauch aus dem Schornstein nahezu unsichtbar ist.

Das Holz stapeln

Abb 13



Wichtig! Das Holz muß nicht höher als 100 mm von der Unterseite der Brennkammer gestapelt werden.

DEUTSCH

5.1 Überhitzungsgefahr

Der Kamin darf bei seiner Benutzung niemals überhitzt werden.

Zu einer Überhitzung kommt es durch zu viel Brennstoff und bzw. oder Luft, was zu einer übermäßigen Wärmeentwicklung führt. Eine Überhitzung ist daran erkennbar, dass Teile des Kamins rot glühen. Wenn dies der Fall ist, muss die Öffnung der Luftzufuhr sofort verringert werden.

Wenn Sie vermuten, dass der Kamin nicht korrekt zieht (zu viel oder zu wenig), lassen Sie sich von Fachpersonal beraten. Weitere Informationen entnehmen Sie Abschnitt **4.4 Schornstein und Rauchgasrohr**

5.2 Entfernen der Asche

- **Wichtig! Entfernen Sie nur Asche, wenn der Kamin kalt ist.**
- Beseitigen Sie die Asche mit einer Schaufel oder ähnlichem Gerät durch die Tür.
- Lassen Sie stets etwas Asche als Schutzschicht auf dem Boden des Kamins zurück.

6.0 Pflege

6.1 Reinigung des Sichtfensters

Das Produkt ist mit einer Luftreinigung für das Sichtfenster ausgestattet. Durch die Luftzufuhröffnung wird Luft oben im Produkt angesaugt und an der Innenseite des Sichtfensters entlang nach unten geführt.

Dennoch verbleibt je nach den örtlichen Luftzugverhältnissen und der Einstellung der Luftzufuhr immer noch etwas Ruß am Sichtfenster. Normalerweise verbrennt der Großteil der Rußschicht bei vollständig geöffneter Luftzufuhr, und das Feuer brennt mit starker Flamme.

Nützlicher Hinweis! Verwenden Sie zur einfachen Reinigung des Sichtfensters ein mit warmem Wasser angefeuchtetes Papiertuch, und fügen Sie etwas Asche aus der Brennkammer hinzu. Reiben Sie mit dem Papiertuch über das Sichtfenster, und waschen Sie es anschließend mit klarem Wasser. Gut abtrocknen. Falls das Sichtfenster sorgfältiger gereinigt werden muss, wird ein Glasreiniger empfohlen (*beachten Sie die Gebrauchsanweisung auf der Flasche*).

6.2 Reinigung und Rußentfernung

An den Innenflächen des Kamins können sich während der Nutzung Rußablagerungen ansammeln. Ruß ist ein wirksamer Isolator und reduziert dadurch die Heizleistung des Kamins. Wenn sich bei der Nutzung des Produkts Rußablagerungen ansammeln, lassen sich diese einfach per Rußentferner beseitigen.

Damit sich im Kamin keine Schicht aus Wasser und Teer bildet, sollten sie regelmäßig hohe Feuertemperaturen zulassen. So wird die Schicht entfernt. Eine jährliche Innereinigung ist erforderlich, um die maximale Heizleistung des Produkts zu erzielen. Es empfiehlt sich, dies zusammen mit der Reinigung von Schornstein und Rauchgasrohren auszuführen.

6.3 Rauchgasrohre zum Kamin kehren

Rauchgasrohre müssen über die Rauchgasrohr-Reinigungsklappe oder die Türöffnung gekehrt werden. Leitblech und Auslassleitblech müssen zunächst demontiert werden.

6.4 Kaminprüfung

Jøtul empfiehlt eine sorgfältige Prüfung des Kamins durch den Benutzer, nachdem das Produkt gekehrt bzw. gereinigt wurde. Untersuchen Sie alle sichtbaren Oberflächen auf Risse. Kontrollieren Sie ebenfalls, ob alle Verbindungen abgedichtet sind und ob die Dichtungen korrekt platziert sind. Verschlossene oder deformierte Dichtungen müssen ersetzt werden.

Reinigen Sie die Dichtungsnuten sorgfältig. Tragen Sie Keramikklebstoff auf (erhältlich bei Ihrem lokalen Jøtul-Händler) und drücken Sie die Dichtung fest an. Die Verbindung trocknet schnell.

6.5 Äußere Pflege

Lackierte Produkte können nach mehreren Jahren ihre Farbe ändern. Die Oberfläche sollte gereinigt werden. Lose Partikel sind abzubürsten, bevor neue Farbe aufgetragen wird.

Emaillierte Produkte dürfen nur mit einem sauberen, trockenen Tuch abgewischt werden. Kein Seifenwasser verwenden. Jegliche Flecken lassen sich mit Reinigungsmitteln (*z. B. Ofenreiniger*) entfernen.)

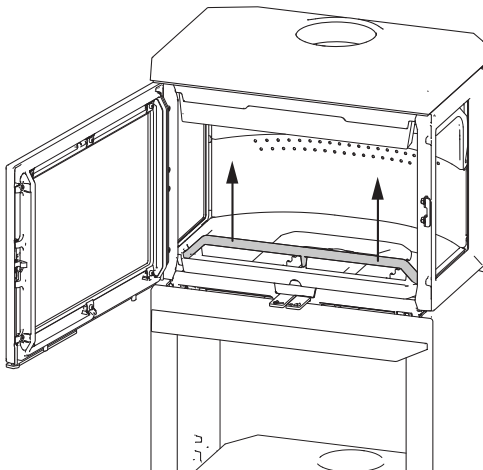
7.0 Instandhaltung

Warnung! Unberechtigte Änderungen am Produkt sind nicht zulässig! Es dürfen nur Originalersatzteile verwendet werden!

7.1 Wechsel von Brennerplatten, Leitblech und Auslassleitblech

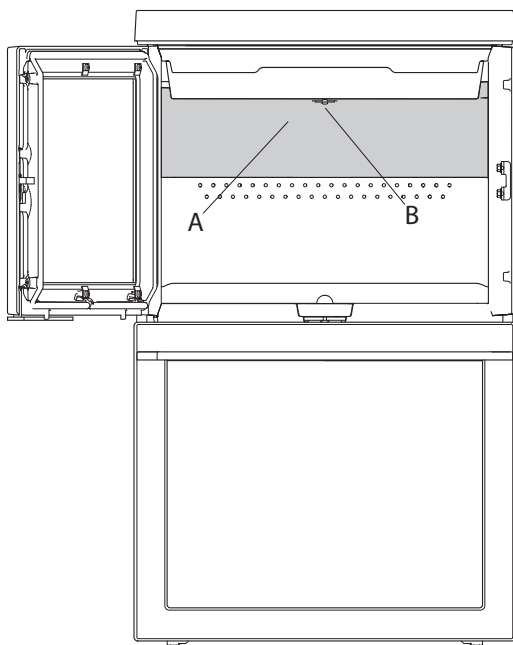
Hinweis: Verwenden Sie Werkzeuge mit größter Sorgfalt! Andernfalls können die Vermiculitplatten beschädigt werden.

Abb. 14



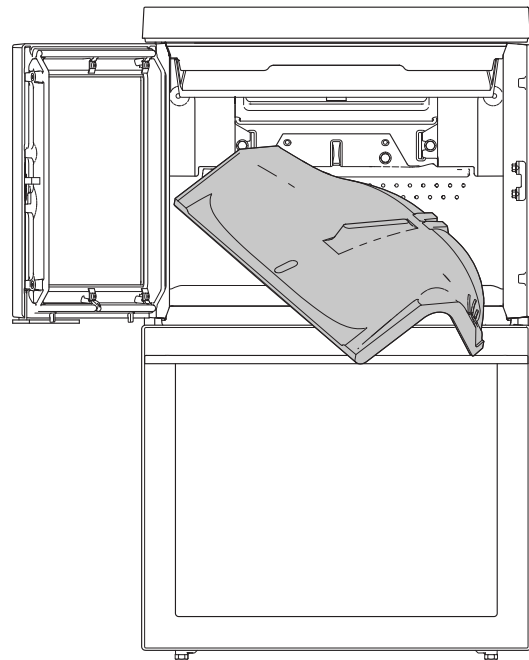
1. Entfernen Sie zunächst den Scheithalter

Abb. 15



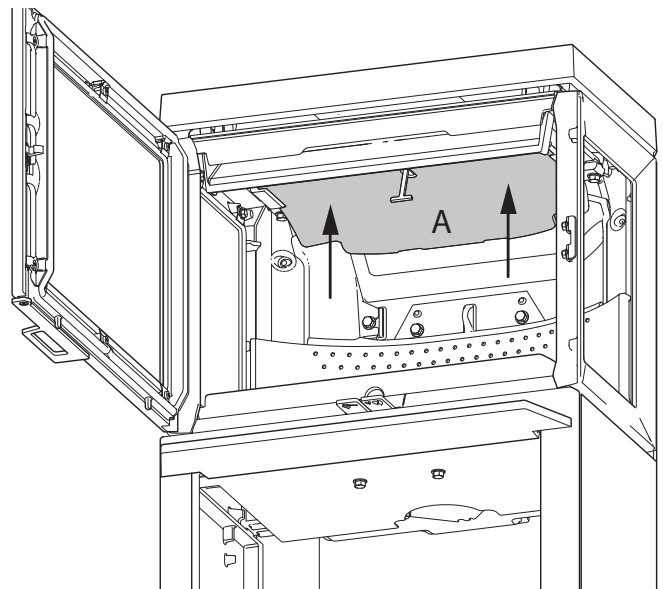
2. Heben Sie zunächst das Leitblech (A) an. Drehen Sie den Schlüssel (B) um 90° und ziehen Sie ihn ab. Ziehen Sie die Hinterkante des Leitblechs nach unten.

Abb. 16



3. Drehen Sie eine Ecke zu sich und ziehen Sie sie seitlich heraus.

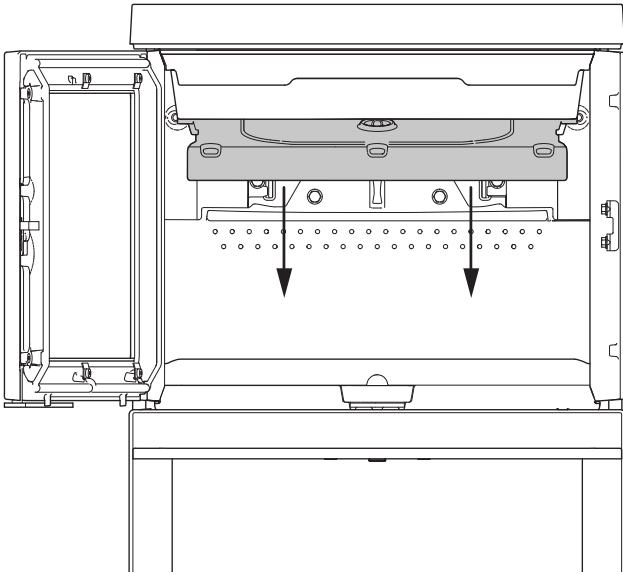
Abb. 17



4. Entfernen Sie danach das Auslassleitblech (A), indem Sie es zunächst leicht anheben. Drücken Sie anschließend das Auslassleitblech nach hinten.

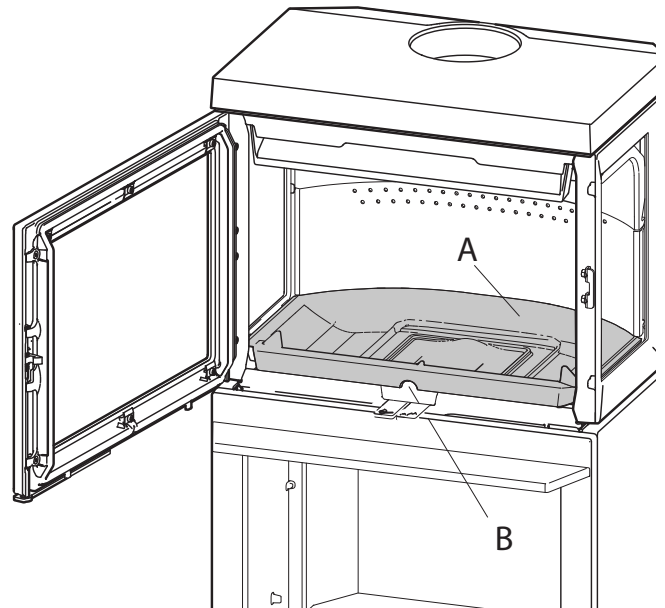
DEUTSCH

Abb. 18



5. Senken Sie das Auslassleitblech ab und heben Sie es heraus.
6. Gehen Sie bei der erneuten Installation in der umgekehrten Reihenfolge vor.

Abb. 20

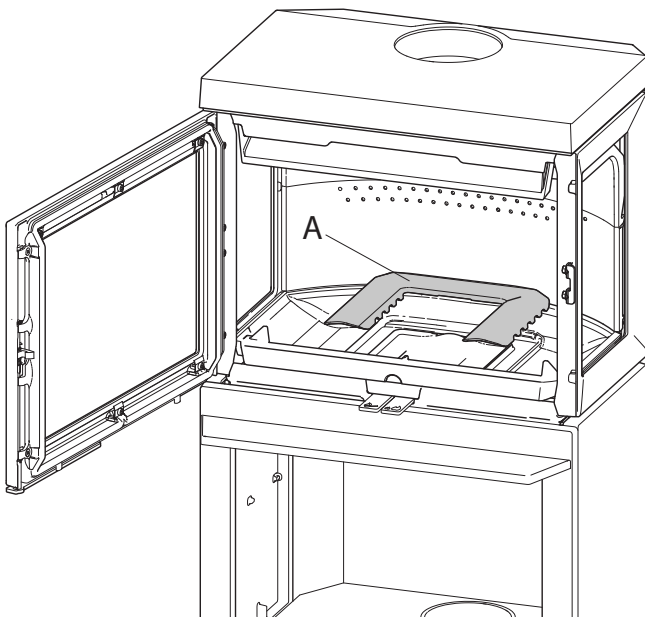


2. Ergreifen Sie die Öffnung (B) an der Frontseite des inneren Bodens (A) und heben Sie ihn an.

7.2 Wechsel von Luftkanal und innerem Boden

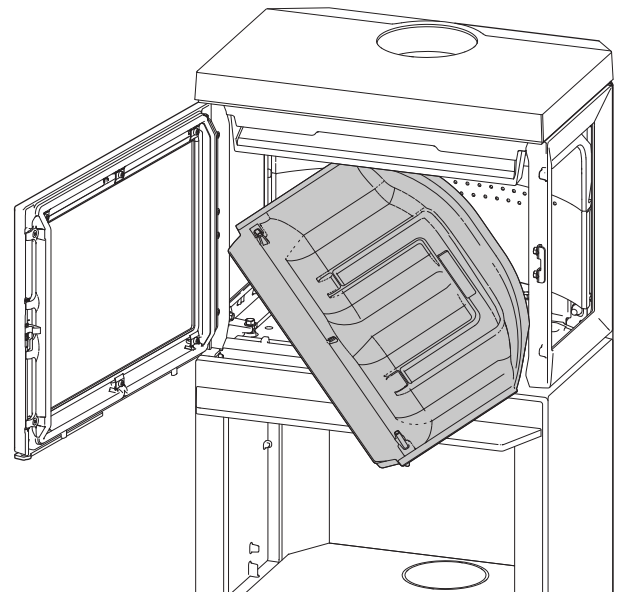
Bei der Installation in einer Ummantelung aus Ziegeln oder einer vorgefertigten Ummantelung und in einem Ofen bzw. offenen Kamin muss der Einsatz eben ausgerichtet sein

Abb. 19



1. Heben Sie den Luftkanal (A) an und entfernen Sie ihn.

Abb. 21

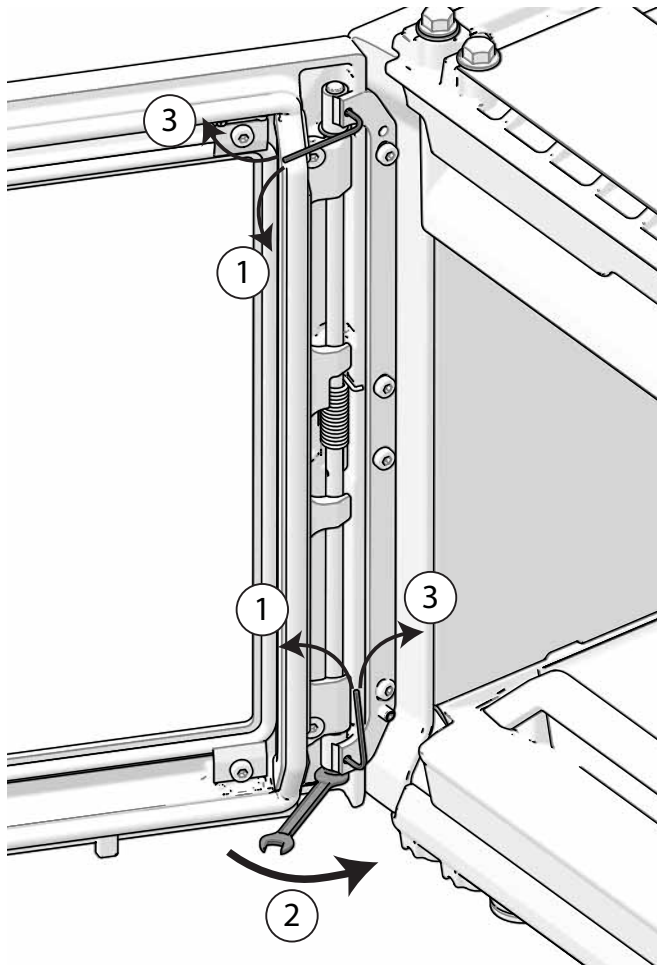


3. Drehen Sie eine Ecke zu sich und ziehen Sie den inneren Boden heraus.
4. Gehen Sie bei der erneuten Installation in der umgekehrten Reihenfolge vor.

7.3 Selbstschließende Tür

Durch diese Änderung schließen Sie die Tür selbst.

Abb. 22



1. Lösen Sie die beiden Inbusschrauben.
2. Ziehen Sie die Schraube an der Unterseite fest.
3. Ziehen Sie die Inbusschraube wieder an.

NB! Dieser Vorgang muss mehrmals durchgeführt werden, um den gewünschten Effekt zu erzielen.

8.0 Betriebsstörungen - Fehlersuche

Geringer Zug

Überprüfen Sie, ob die Länge des Schornsteins die Anforderungen nationaler Gesetze und Vorschriften erfüllt. (Weitere Informationen finden Sie unter «**2.0 Technische Daten**».

Stellen Sie sicher, dass der Mindestquerschnitt des Schornsteins den im Aufstellungshandbuch unter «**2.0 Technische Daten**» beschriebenen Angaben entspricht.

Stellen Sie sicher, dass der Rauchaustritt aus dem Schornstein nicht behindert wird, beispielsweise durch: Äste, Bäume usw. Wenn der Verdacht auf zu starken oder zu geringen Luftzug im Schornstein besteht, muss zur Messung und Anpassung professionelle Hilfe in Anspruch genommen werden.

Das Feuer erlischt nach kurzer Zeit

- Stellen Sie sicher, dass das Holz ausreichend trocken ist.
- Wenn im Haus Unterdruck herrscht, schalten Sie mechanische Ventilatoren ab, und öffnen Sie ein Fenster in der Nähe des Kamins.
- Sorgen Sie dafür, dass die Luftzufuhr geöffnet ist.
- Überprüfen Sie, ob die Abzugsöffnung mit Ruß verstopft ist.

Ungewöhnlich starke Rußablagerungen auf dem Sichtfenster

Leichte Rußablagerungen auf dem Sichtfenster sind unvermeidbar; die Stärke der Ablagerungen ist jedoch von folgenden Faktoren abhängig:

- Feuchtigkeit des Brennstoffes.
- Örtliche Luftzugverhältnisse.
- Einstellung der Luftzufuhr.

Normalerweise verbrennt der Großteil des Rußes, wenn die Luftzufuhr vollständig geöffnet ist und das Feuer mit starker Flammenbildung brennt.

DEUTSCH

9.0 Zusatzausstattung

9.1 Abdeckung für Außenluftschluss

Art.nr. 51049688

9.2 Außenluftset Ø80

Art.nr. 51047509

9.3 Außenluftset Ø100

Art.nr. 51012164

9.4. Jøtul F 520 High Top

Art. nr. 51053360

9.5 Speicherwärme

Art. nr. 10026701

9.6 Tüverschluss, komplett, links

Für Tür mit rechtsanschlag

Art. nr. 50045754

10.0 Recycling

10.1 Recyclingverpackung

Ihr Kamin wird mit der folgenden Verpackung geliefert:

- Eine Holzpalette kann zersägt und im Kamin verbrannt werden.
- Verpackungskarton ist auf einem Recyclinghof zu entsorgen.
- Kunststoffbeutel sind auf einem Recyclinghof zu entsorgen.

10.2 Kaminrecycling

Der Kamin besteht aus folgenden Materialien:

- Metall, das auf einem Recyclinghof zu entsorgen ist.
- Glas, das als Sondermüll entsorgt werden muss. Das im Kamin verbaute Glas darf **nicht** im normalen Glasmüll entsorgt werden.
- Brennerplatten aus Vermiculit, die in Normalmüll entsorgt werden können.

11.0 Garantiebedingungen

1. Umfang unserer Garantie:

Jøtul AS garantiert, dass externe Gusseisenteile zum Kaufzeitpunkt frei von Material- oder Herstellungsfehlern sind. Sie können die Garantie für die externen Gusseisenteile auf 25 Jahre ab Lieferdatum verlängern, indem Sie das Produkt im Internet unter jotul.com registrieren und die Garantieverlängerungskarte innerhalb von drei Monaten nach dem Kauf drucken. Wir empfehlen, die Garantiekarte zusammen mit dem Kaufbeleg aufzubewahren. Jøtul AS garantiert ebenfalls, dass Stahlplattenteile zum Kaufzeitpunkt frei von Material- oder Herstellungsfehlern sind, und diese Garantie gilt 5 Jahre ab Lieferdatum.

Die Garantie gilt nur unter der Bedingung, dass der Kaminofen von Fachpersonal gemäß den geltenden Gesetzen und Regelungen sowie der Montage- und Bedienungsanleitung von Jøtul installiert wurde. Reparierte Produkte und Ersatzteile werden innerhalb der ursprünglichen Gewährleistungsfrist garantiert.

2. Folgendes ist von der Garantie ausgeschlossen:

- 2.1. Schäden an Verbrauchsmaterialien wie Brennerplatten, Lüftungsgittern, Rauchgasleitblechen, Dichtungen usw., da sich deren Zustand aufgrund einer normalen Abnutzung im Laufe der Zeit verschlechtert.
- 2.2. Schäden infolge unsachgemäßer Wartung, Überhitzung, einer Verwendung ungeeigneter Brennstoffe (Beispiele für ungeeignete Brennstoffe: Treibholz, imprägniertes Holz, Brettverschnitt, Spanplatten usw.) oder von zu feuchtem/nassem Holz.
- 2.3. Installation von Zusatzausstattung zur Anpassung lokaler Zugverhältnisse, Luftzufuhr oder anderer Umstände, die sich Jøtuls Einflussnahme entziehen.
- 2.4. Wenn ohne Jøtuls Zustimmung oder Originalteile Änderungen/Modifikationen am Kamin vorgenommen wurden.
- 2.5. Schäden während der Lagerung bei einem Händler oder beim Transport von einem Händler oder während der Installation.
- 2.6. Produkte, die von nicht-autorisierten Verkäufern verkauft werden, wenn Jøtul ein selektives Vertriebssystem nutzt.
- 2.7. Verbundene Kosten (z.B. Transport-, Arbeits-, Reisekosten usw.) oder indirekte Schäden.

Pelletsöfen, Glas-, Stein-, Beton-, Emaillie- und Lackoberflächen (z.B. Abplatzen, Rissbildung, Blasenbildung, Verfärbung usw.) unterliegen den nationalen Bestimmungen zum Verkauf von Verbrauchsgütern. Diese Garantie gilt für Käufe, die auf dem Gebiet des Europäischen Wirtschaftsraums getätigt werden. Alle Garantieanfragen müssen innerhalb eines angemessenen Zeitraums an Ihren lokalen autorisierten Jøtul-Fachhändler gerichtet werden – spätestens jedoch 14 Tage nach dem Datum, an dem der Fehler oder Defekt erkannt wurde. Siehe Händlerliste auf unserer Website jotul.com.

Wenn Jøtul nicht in der Lage ist, die Verpflichtungen in den oben genannten Garantiebedingungen zu erfüllen, wird ein Ersatzprodukt mit einer ähnlichen Heizleistung kostenlos angeboten.

Jøtul behält sich das Recht vor, jeden Austausch von Teilen oder Dienstleistungen zu verweigern, wenn die Garantie nicht online registriert wurde. Diese Garantie wirkt sich nicht auf die Rechte aus, die gemäß nationalen Bestimmungen zum Verkauf von Verbrauchsgütern bestehen. Das nationale Beschwerderecht gilt ab dem Kaufdatum und nur gegen Vorlage eines Kaufbelegs bzw. einer Seriennummer.

Inhoudsopgave

| | | |
|------|--|----|
| 1.0 | Wettelijke voorschriften | 35 |
| 2.0 | Technische gegevens..... | 35 |
| 3.0 | Veiligheid..... | 36 |
| 4.0 | Installatie | 40 |
| 5.0 | Dagelijks gebruik..... | 43 |
| 6.0 | Onderhoud | 45 |
| 7.0 | Groot onderhoud | 45 |
| 8.0 | Gebruiksproblemen - problemen oplossen..... | 48 |
| 9.0 | Optionele extra's | 48 |
| 10.0 | Recycling..... | 49 |
| 11.0 | Garantievoorwaarden..... | 49 |

Registreer uw haard op jotul.com met het oog op de garantie van 25 jaar.

| | | | |
|---|----------------|----------------------|--|
| Product: Jøtul Room heater fired by solid fuel | | | |
| CE | | | |
| Standard Minimum distance to adjacent combustible materials Minimum distance to adjacent non-combustible materials Emission of CO in combustion products Flue gas temperature Nominal heat output Efficiency Operation range Fuel type Operational type The appliance can be used in a shared flue. | | | |
| Country | Classification | Certificate/standard | Approved by |
| Norway | M3000 II | | |
| Sweden | not. | SP | SP Sveriges Provnings- och Forskningsinstitut AB |
| EUR | Intermittent | EN | SP Swedish National Testing and Research Institute |
| Follow user's instructions. Use only recommended fuels. Montage- und Bedienungsanleitung beachten. Verwenden Sie nur empfohlenen Brennstoffen. Respecter les consignes d'utilisation. Utilisez uniquement les combustibles recommandés. | | | |
| Lot no: Y-xxxx, Year: 200x | | | |
| Manufacturer: Jøtul AS POB 1441 N-1602 Fredrikstad Norway | | 221546 | |

Al onze producten zijn voorzien van een label met een serienummer en een jaartal. Noteer dit nummer op de daarvoor bestemde plaats, zoals aangegeven in de installatie-instructies.

Houd dit serienummer bij de hand als u contact opneemt met uw leverancier of met Jøtul.

Lot no. Pin.

1.0 Wettelijke voorschriften

Een haard moet in overeenstemming met de in uw land geldende wet- en regelgeving worden geïnstalleerd.

Bij het installeren van de producten moeten alle lokale voorschriften die betrekking hebben op nationale en Europese normen, worden nageleefd.

Bij het product horen een installatiehandleiding met technische gegevens en een algemene gebruikers- en onderhoudshandleiding. De installatie kan pas in gebruik worden genomen nadat deze door een gekwalificeerde technicus is gecontroleerd.

Op het hiteschild is een typeplaatje van hittebestendig materiaal bevestigd. Hierop staat informatie over de identificatie en documentatie van het product.

2.0 Technische gegevens

| | |
|--------------------------|-----------|
| Materiaal: | Gietijzer |
| Afwerking: | Verf |
| Type brandstof: | Hout |
| Max. lengte van blokken: | 50 cm |
| Rookuitlaat: | Boven |
| Afmeting kachelpijp: | Ø 150 mm |

Gewicht:

| | |
|-------------------------------------|-------------------|
| Jøtul F 520: | Ongeveer 170 kg |
| Jøtul F 520 + Jøtul F 520 High Top: | Ongeveer 201 kg |
| Productafmetingen, afstanden: | Zie afb. 1 |

Technische gegevens conform EN 13240

| | |
|-------------------------------------|--------------------------------|
| Nominale warmteafgifte: | 7 kW |
| Efficiëntie: | 77% |
| CO-uitstoot (13% O ₂): | 0,07% |
| CO-uitstoot (13% O ₂): | 884 mg/Nm ³ |
| OGC-uitstoot (13% O ₂): | 60 mg/Nm ³ |
| Stofuitstoot (13% O ₂): | 14 mg/Nm ³ |
| Temperatuur rookgas: | 305 °C |
| Debiet rookgas: | 7,1 g/s |
| Schoorsteentrek, EN 13240: | 12 Pa |
| Aanbevolen trek met rookkanaal: | 16-18 Pa |
| Brandstofverbruik: | 2,3 kg/u |
| Hoeveelheid aanmaakhout: | 1,7 kg |
| Max. aanmaakhout: | 3,4 kg per keer en 3,8 kg kg/u |
| Bedrijf: | cyclisch |

Onder "cyclische verbranding" wordt normaal gebruik van een kachel verstaan. Met andere woorden: als u met het produceren van warmte wilt doorgaan, voegt u meer brandstof toe zodra de vorige lading hout tot sintels is verbrand.

NEDERLANDS

3.0 Veiligheid

NB! Om optimale prestaties en veiligheid te garanderen, raadt Jøtul aan haar kachels te laten monteren door een gekwalificeerd installateur (zie www.jotul.com voor een volledige dealerlijst).

Aanpassingen aan het product door de distributeur, installateur of consument kunnen ertoe leiden dat het product en de beveiligingen niet naar behoren functioneren. Hetzelfde geldt voor de installatie van niet door Jøtul geleverde accessoires of optionele extra's. Dit kan ook het geval zijn indien essentiële onderdelen voor het functioneren en de veiligheid van de haard gedemonteerd of verwijderd worden.

In al deze gevallen is de fabrikant niet verantwoordelijk of aansprakelijk voor het product en het recht op reclamatie komt hierdoor te vervallen.

Let op! Bepaalde onderdelen van de kachel, met name de externe oppervlakken, worden erg heet tijdens de verbranding! Wees uitermate voorzichtig!

3.1 Maatregelen op het gebied van brandpreventie

Elk gebruik van de haard brengt een zeker risico met zich mee. Neem daarom de volgende instructies nauwkeurig in acht:

- De minimale veiligheidsafstanden tijdens het gebruik van de haard zijn weergegeven in **afb. 1**.
- Zorg ervoor dat er geen meubels of andere brandbare materialen te dicht bij de haard staan. Brandbare materialen mogen nooit binnen 900 mm afstand van de haard geplaatst worden.
- Laat het vuur vanzelf uitgaan. Blus het vuur nooit met water.
- De haard wordt tijdens gebruik warm en kan bij aanraking brandwonden veroorzaken.
- Verwijder de as niet voordat de haard koud is. De as kan smeulende resten bevatten en moet daarom in een onbrandbare bak worden bewaard.
- De as moet naar buiten worden afgevoerd of worden weggegooid op een plek waar geen brandgevaar bestaat.

Bij brand in de schoorsteen

- Sluit alle luiken en ventilatieopeningen.
- Houd de deur van de vlamkast gesloten.
- Controleer of er rook is op zolder en in de kelder.
- Bel de brandweer.
- Voordat u de haard opnieuw in gebruik neemt na een brand, moet een deskundige de haard en de schoorsteen controleren om na te gaan of deze goed werkt.

Stalen schoorsteen

Als een aan de bovenkant gemonteerde stalen schoorsteen wordt gebruikt, moet er een niet-geïsoleerde pijp geplaatst worden van de verbrandingskamer tot ongeveer 10 mm over het toprooster. Zorg ervoor dat de pakking juist gepositioneerd is tussen de kachelpijp en de rookuitlaat. Bevestig daarna de stalen schoorsteen volgens de installatie-instructies van de schoorsteenleverancier.

3.2 Vloer

Fundering

Controleer of de fundering geschikt is om een haard te dragen. Zie "2.0 Technische gegevens" voor het gespecificeerde gewicht.

Wij raden aan om vloeren die niet aan de fundering zijn bevestigd (zgn. "zwevende vloeren") uit het installatiegebied te verwijderen.

Eisen met betrekking tot het beschermen van een houten vloer onder de haard

Het is de functie van een vloerplaat om de vloer en brandbare materialen te beschermen tegen gloeiend hout. De voorplaat moet aan nationale wet- en regelgeving voldoen.

Jøtul raadt aan dat alle vloeren van brandbaar materiaal, zoals linoleum, tapijt, enz. onder de vloerplaat verwijderd moet worden.

Eisen met betrekking tot het beschermen van brandbare vloeren vóór de haard

De voorplaat moet aan nationale wet- en regelgeving voldoen. Neem contact op met de plaatselijke bouwtoezichtinstanties voor informatie over beperkingen en installatievereisten.

3.3 Vand

Afstand tot muren van brandbaar materiaal - zie **afb. 1a**.

Minimale afstand tot brandbare muur beschermd door brandmuur: zie **afb. 1b**.

De haard mag worden gebruikt met een niet-geïsoleerde kachelpijp op voorwaarde dat de afstanden tussen de haard en de muren van brandbare materialen overeenkomen met de gegevens uit **afb. 1**.

Let op! Plaats het product dusdanig dat het mogelijk is de kachel, de kachelpijp en de schoorsteendoorgang schoon te maken.

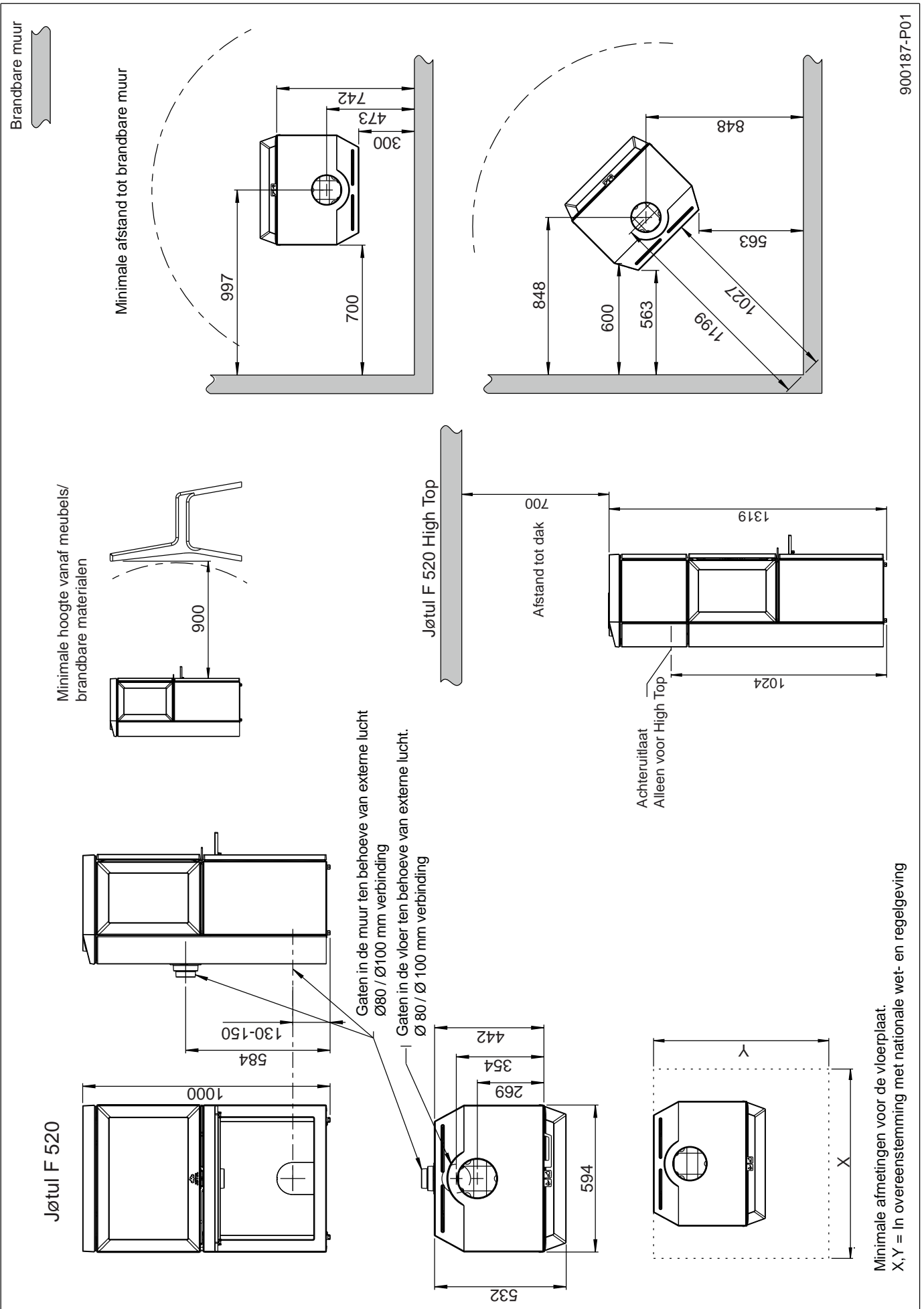
Let op! Zorg ervoor dat meubilair en andere huishoudartikelen niet zo dicht bij de kachel staan dat ze kunnen uitdrogen.

3.4 Plafond

De afstand tot een brandbaar dak boven de haard moet minimaal **750 mm** zijn.

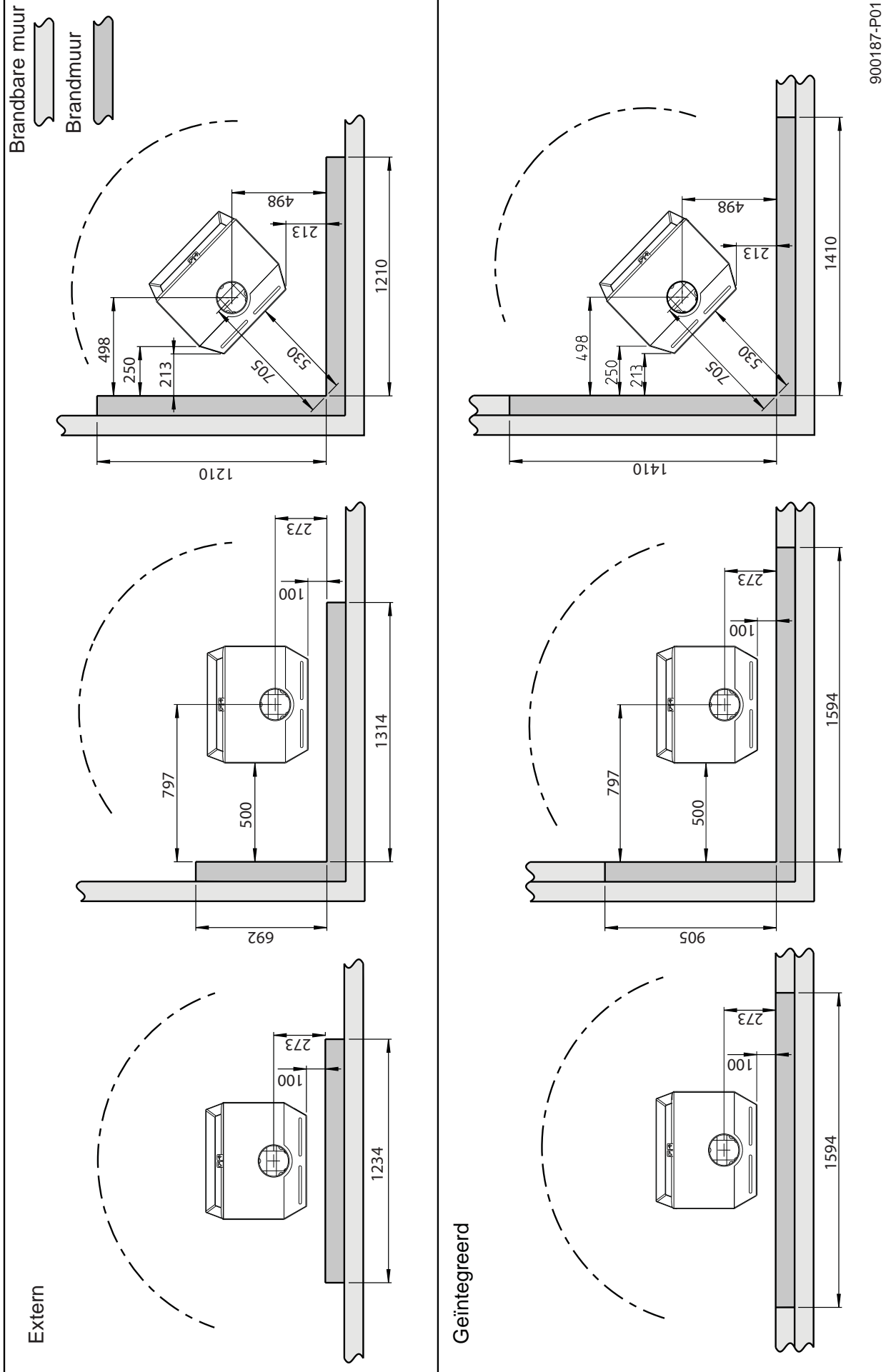
Jøtul F 520 / Jøtul F 520 High Top

Fig. 1a



900187-P01

Minimale afstand tot brandbare muur beschermd door brandmuur



Toevoer van frisse lucht

De lucht die gebruikt wordt voor verbranding in een goed geïsoleerd huis moet worden verversd. Dit is met name van belang voor huizen met mechanische ventilatie. Deze luchtverversing kan op een aantal manieren worden bereikt. Het belangrijkste is dat er lucht wordt aangevoerd naar de ruimte waar de kachel geplaatst is. Plaats de klep in de buitenmuur zo dicht mogelijk bij de kachel en zorg ervoor dat deze gesloten kan worden als de kachel niet gebruikt wordt.

Volg de nationale en lokale bouwvoorschriften voor het aansluiten van de toevoer van frisse lucht.

Gesloten verbrandingssysteem

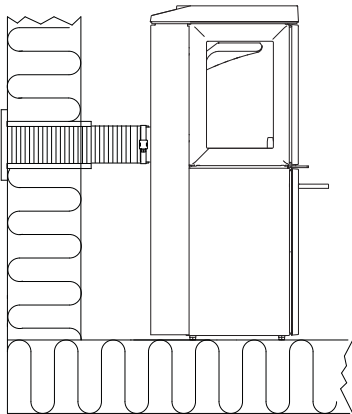
Gebruik het gesloten verbrandingssysteem van de kachel als u in een recent gebouwde, luchtdichte woning woont. Sluit de externe verbrandingslucht aan via een ventilatiepijp door de muur of de vloer.

Luchttoevoer

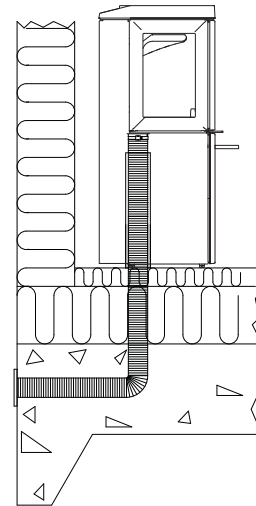
De hoeveelheid verbrandingslucht voor Jøtul-producten is ongeveer 20-40 m³/h. De externe luchtaansluiting kan direct op de Jøtul F 105 worden aangesloten door middel van:

- de bodem
- door een flexibele toevoerslang van buitenaf/schoorsteen (alleen als de schoorsteen een eigen kanaal heeft voor externe lucht) op de externe luchtaansluiting van het product.

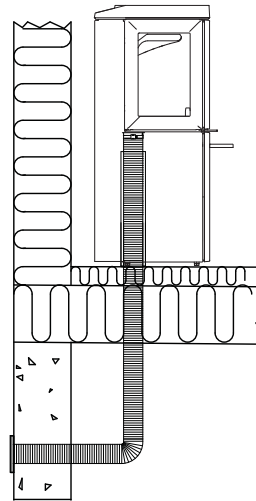
Afb. 2A, via een buitenmuur



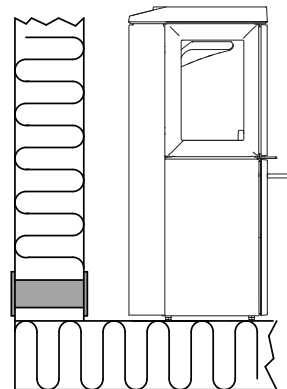
Afb. 2B, via de vloer en grondplaat



Afb. 2C, via de vloer en kelder



Afb. 2D, indirect via een buitenmuur



NEDERLANDS

4.0 Installatie

NB: Controleer voordat u met de installatie begint of de haard onbeschadigd is.

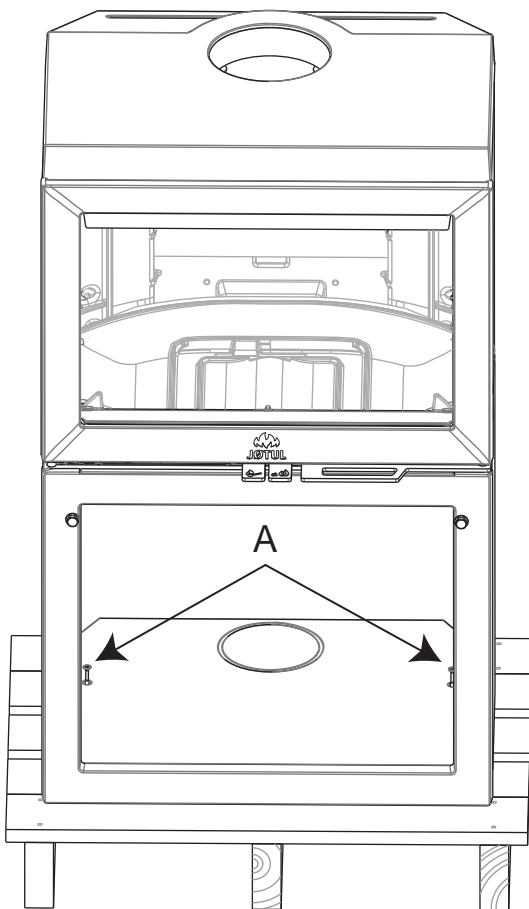
NB: Het product is zwaar! Zorg voor hulp bij het plaatsen en installeren.
De verbrandingskamer is zwaar. Zorg dat het product niet kantelt.

NB: Zet niets op de bovenplaat van de kachel, aangezien dit de verf/het email permanent kan beschadigen.

NB: Lees de installatie- en bedieningsinstructies aandachtig door voordat u de haard plaatst!

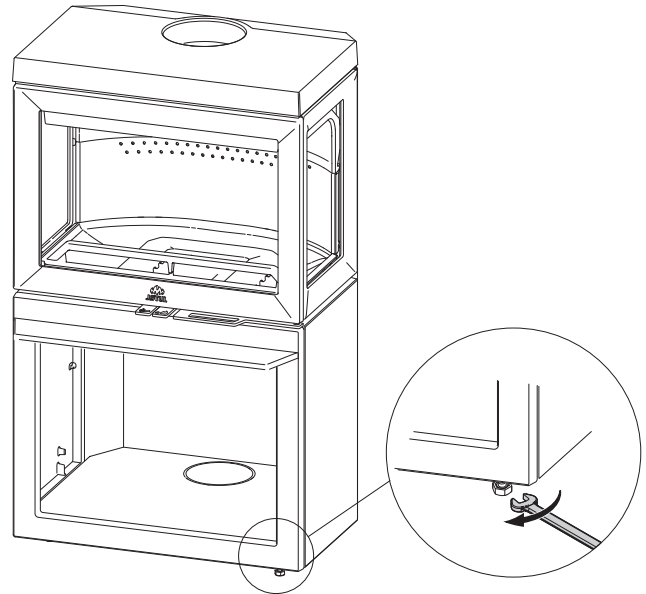
4.1 Voorbereidingen voor de Jøtul F 520

Afb. 3



1. Verwijder de 2 transportschroeven (**A**) waarmee de kachel is vastgezet op de houten pallet.
2. Laat de kachel op de transportpallet staan.
3. Controleer of de bedieningshendel (**B**) makkelijk beweegt.

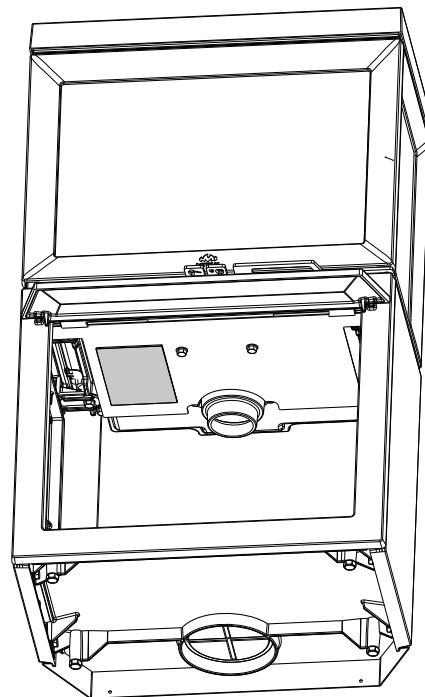
Afb. 4



4. Til de kachel van de pallet.
5. Zet de kachel neer en stel de horizontale positie met behulp van een dopsleutel en de 4 stelschroeven af. Teken de positie op de muur af als er gebruik wordt gemaakt van een achteruitlaat voor de kachelpijp en de externe luchttoevoer. **Let op!** Houd rekening met de hoogte van de vloerplaat.

Goedkeuringsetiket

Afb. 5

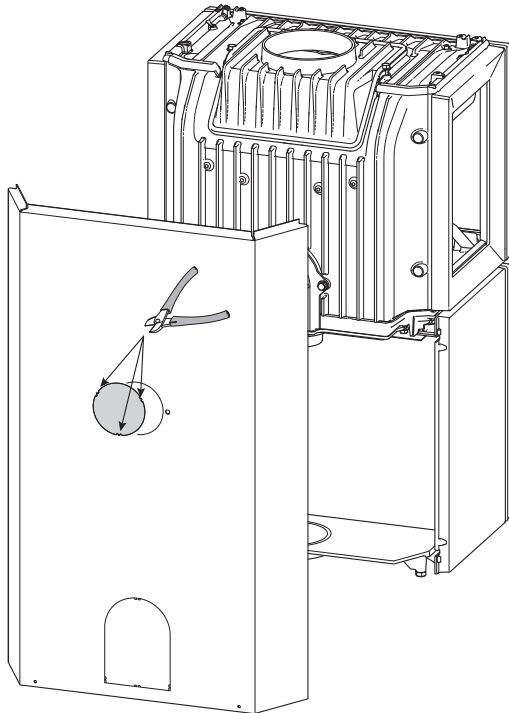


4.2 Externe luchttoevoer

Via een achteruitlaat

Jotul F 520 wordt geleverd met de buitenluchtaansluiting aan de onderzijde van het products. Wanneer gewenst, de buitenluchtaansluiting kan worden gemonteerd aan de achterzijde van het product.

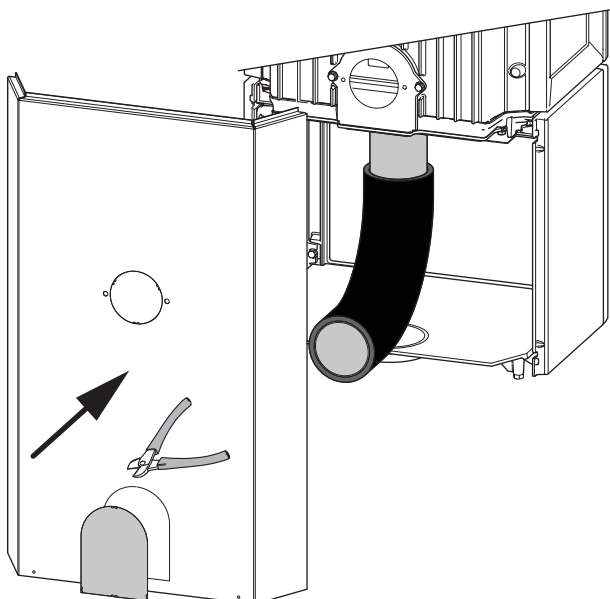
Afb. 6



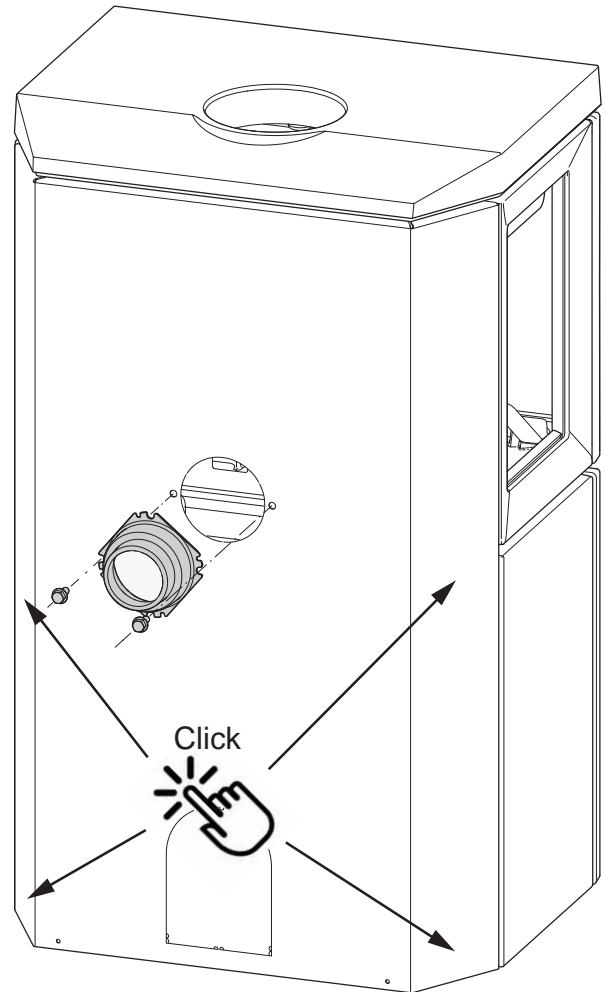
1. Gebruik een scherpe tang and snij langs de «knock out» gaten

Alternatief via een achteruitlaat

Afb. 6b

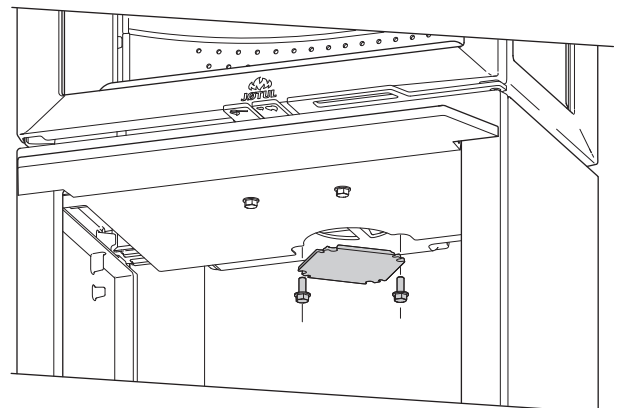


Afb. 7



2. Verplaatst de luchtaansluiting van de onderzijde naar de achterzijde van de kachel
3. Voor het bevestigen van een Ø80 / Ø100 inlaatkanaal voor frisse lucht (optionele uitrusting – artikelnr. 51047509 / 51012164), zie de handleiding (artikelnr. 10047508) bij de externe luchtaansluiting. Sluit de slang met een slangklem op de externe luchtaansluiting aan. De isolatie van de externe luchtslang eindigt **ongeveer 100 mm** onder de verbrandingskamer.

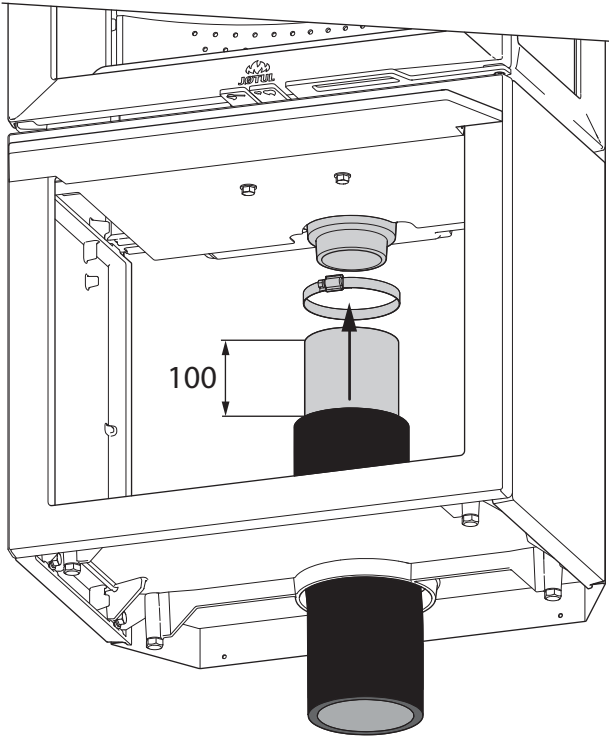
Afb. 8



4. Installeer dan de afdekplaat voor de buitenlucht aan de onderzijde van de kachel.

Door de vloer

Afb. 9



1. Gebruik een zware hamer en sla hard in het midden van de «knock out»
2. Plaats een flexibele slang door de vloer tot aan de luchtaansluiting.
3. Bevestig de flexibele slang aan de luchtaansluiting met een slangenklem
4. Voor het bevestigen van een Ø80 / Ø100 inlaatkanaal voor frisse lucht (optionele uitrusting – artikelnr. 51047509 / 51012164), zie de handleiding (artikelnr. 10047508) bij de externe luchtaansluiting. Sluit de slang met een slangklem op de externe luchtaansluiting aan. De isolatie van de externe luchtslang eindigt **ongeveer 100 mm** onder de verbrandingskamer.

4.3 Schoorsteen en kachelpijp

- De haard mag uitsluitend worden aangesloten op een schoorsteen en kachelpijp die zijn goedgekeurd voor haarden op vaste brandstof met rookgastemperaturen zoals gespecificeerd in «**2.0 Technische gegevens**».
- De doorsnede van de schoorsteen moet geschikt zijn voor een haard. Zie «**2.0 Technische gegevens**» om de juiste doorsnede van de schoorsteen te berekenen.
- Als de doorsnede van de schoorsteen groot genoeg is, kunnen er meerdere kachels op vaste brandstof op dezelfde schoorsteen worden aangesloten. Let op! Lees de toepasselijke voorschriften door om na te gaan wat is toegestaan. Zelfs een goede schoorsteen kan slecht functioneren als deze niet correct wordt gebruikt.
- De schoorsteen moet worden aangesloten in overeenstemming met de installatie-instructies van de schoorsteenleverancier.
- Voordat u een opening in de schoorsteen maakt, moet het product als proef worden gemonteerd om de juiste positie van de haard en het gat in de schoorsteen te kunnen markeren. Zie **Fig. 1**. voor de minimale afmetingen.
- Zorg ervoor dat de kachelpijp omhoog wijst in de richting van de schoorsteen.
- Zorg ervoor dat er naast de achteruitlaat en de uitlaat bovenin kan worden geveegd. Indien nodig moet u een kachelpijp met een veegluik gebruiken.
- **Let op:** het is zeer belangrijk dat de aansluitingen enigszins flexibel zijn. Zo voorkomt u dat kleine verplaatsingen tijdens de installatie tot vervorming of barsten leiden.
- Zie «**2.0 Technische gegevens**» voor de aanbevolen schoorsteentrek. Voor afmetingen van de kachelpijp met de relevante doorsnede, zie «**2.0 Technische gegevens**»

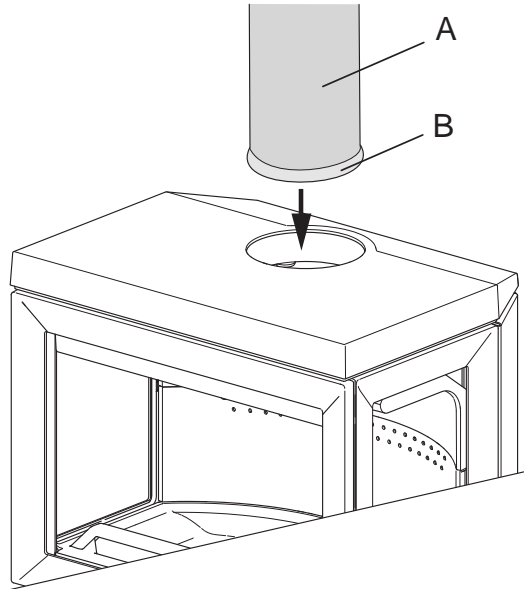
Bediening onder verschillende weersomstandigheden

Het effect van de wind op de schoorsteen kan een aanzienlijke impact hebben op de manier waarop de kachel reageert onder verschillende windbelastingen. Het kan nodig zijn de luchttoevoer aan te passen om een goede verbranding te bereiken

4.4 Een kachelpijp met een boventuitlaat verbinden

Het product wordt door de fabriek geleverd met een rookuitlaat als boventuitlaat.

Afb. 10

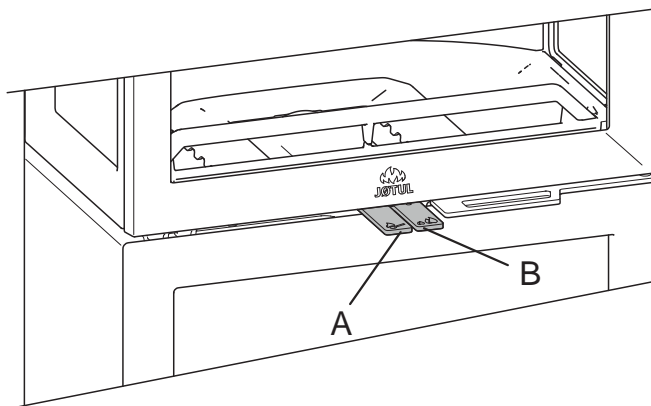


1. Leid de kachelpijp (A) door de bovenplaat en plaats deze vervolgens in de bovenste rookuitlaat.
2. Goed afdichten met een pakking (B).

4.5 Prestatiecontrole

Als het product is gemonteerd, moet u altijd de bedieningshendel controleren. Deze behoort makkelijk te bewegen en goed te werken.

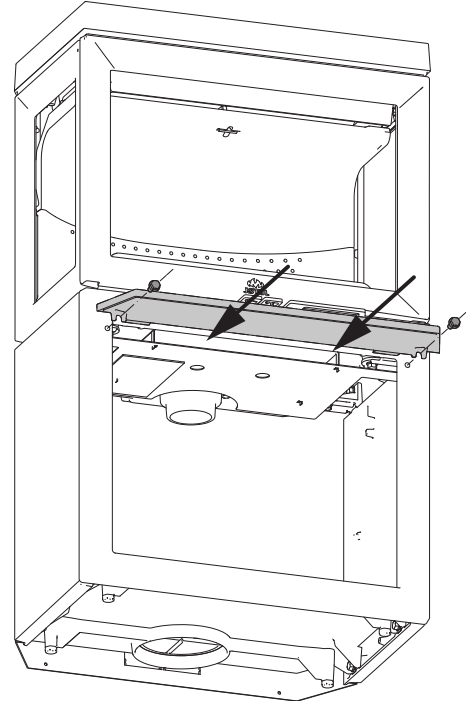
Afb. 11



De Jøtul F 520 is voorzien van de volgende bedieningsopties:

- Trek de ontstekingsopening naar buiten (A) (de luchtopening (B) volgt automatisch).

4.6 As lippen



5.0 Dagelijks gebruik

Geur bij eerste gebruik van de haard

Als de haard voor de eerste keer wordt gebruikt, kan irriterend gas vrijkomen dat onaangenaam kan ruiken. Dit gebeurt omdat de verf opdroogt. Het gas is niet giftig, maar toch is het beter om de ruimte goed te ventileren. Stook het vuur flink op totdat alle sporen van gas zijn verdwenen en geen rook of geuren meer zijn waar te nemen.

Brandadvies

NB: Blokken hout die buiten of in een koude ruimte zijn opgeslagen moeten 24 uur voor gebruik naar binnen worden gehaald zodat ze op kamertemperatuur kunnen komen. Er zijn verschillende manieren waarop in de kachel gestookt kan worden, maar het is belangrijk dat u altijd voorzichtig bent met het materiaal dat u in de kachel stopt. Zie het hoofdstuk "Houtkwaliteit"

NEDERLANDS

Houtkwaliteit

et kwaliteitshout bedoelen we de meest bekende soorten hout zoals berk, spar en den.

De blokken moeten goed worden gedroogd zodat er niet meer dan 20% vocht in zit.

Om dit te bereiken moet het hout aan het einde van de winter worden gehakt. De blokken moeten worden gekloofd en dusdanig worden gestapeld dat er voldoende ventilatie is. De houtstapel moet worden afgedekt om de blokken tegen regen te beschermen. De blokken moeten begin herfst naar binnen worden gehaald en worden gestapeld/opgeslagen voor gebruik in de komende winter.

Let er goed op dat u de volgende materialen nooit als brandstof voor uw haard gebruikt:

- Huishoudelijk afval, plastic tassen, enz.
- Geverfd of geïmpregneerd hout (dat is uiterst giftig).
- Gelamineerde houten planken.
- Drijfhout

Deze kunnen schade toebrengen aan het product en zijn ook vervuilend.

NB: Gebruik nooit benzine, paraffine, methylalcohol of dergelijke vloeistoffen om het vuur aan te steken. Dit kan leiden tot ernstig persoonlijk letsel en schade aan het product.

De blokken moeten het volgende formaat hebben:

Aanmaakhout (fijngehakt hout):

Lengte: 30 - 50 cm

Diameter: 6 - 10 cm

Hoeveelheid aanmaakhout: 3 blokken van elk 0,6-0,8 kg en 10 tot 12 stukken hout van ongeveer 1 kg in totaal.

Het vuur stoken:

Hout (gekloofd hout):

Lengte: 30 - 50 cm

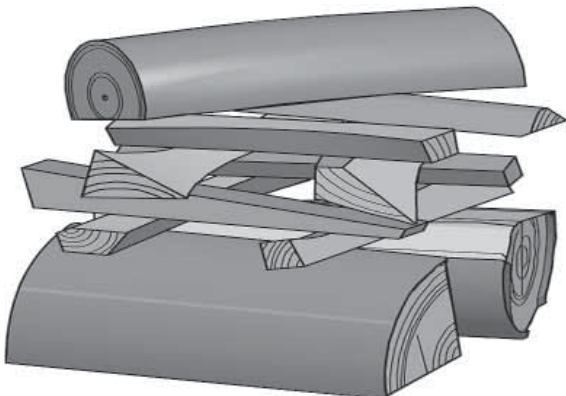
Benodigd aantal per keer: 2 of 3 blokken van elk 0,7 kg, d.w.z. 1,5-2,0 kg per keer.

Stookfrequentie: Ongeveer elke 50 minuten

De nominale warmteafgifte wordt bereikt wanneer de luchtopening ongeveer 40% tot 70% is geopend en de ontstekingsopening 0% tot 50% is geopend.

Eerste keer stoken

Afb. 12



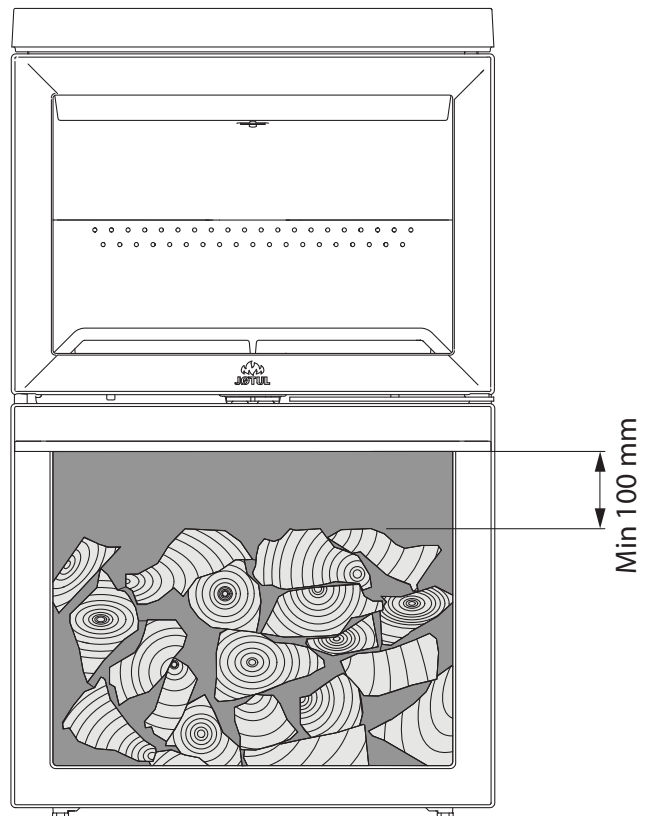
- Open de luchtopening
- Plaats twee blokken op de bodem van de verbrandingskamer en stapel het aanmaakhout hier in lagen op.
- Plaats tenslotte een middelgroot blok op deze stapel.
- Plaats 2 of 3 briketten of aanmaakblokken onder de bovenste laag aanmaakhout en steek het vuur aan.
NB: De maximale hoogte van de stapel hout moet net onder de horizontale gaten blijven. De gaten mogen niet worden bedekt.
- Regel de ontstekingsopening (Afb. 32) als het hout goed brandt.
- Controleer of de naverbranding (secundaire verbranding) goed op gang komt. Dat is het geval als er gele, flikkerende vlammen voor de gaten onder het schot op gang komen.
- Als de luchtstroom normaal is, kunt u de deur sluiten en zal het vuur automatisch branden.

Houtblokken toevoegen

Stook de kachel regelmatig op, maar gebruik alleen kleine hoeveelheden brandstof tegelijk. Als de kachel te vol is, kan de hitte voor extreme druk in de schoorsteen zorgen. Voeg altijd met mate brandstof bij. Vermijd smeulend vuur omdat dit het meest vervuilend is. Het vuur is het beste als het goed brandt en de rook uit de schoorsteen nauwelijks zichtbaar is. Het vuur is het beste als het goed brandt en de rook uit de schoorsteen nauwelijks zichtbaar is. Let op! Het is belangrijk de deur dicht te houden tijdens de verbranding.

Houtblokken stapelen

Afb. 13



- Het hout mag niet hoger dan 100 mm van de onderkant van de verbrandingskamer worden opgestapeld.

5.1 Gevaar van oververhitting

De haard mag nooit zo gebruikt worden dat er oververhitting ontstaat.

Oververhitting treedt op als de haard te veel brandstof bevat en/of de luchtopening te ver openstaat zodat er te veel hitte wordt ontwikkeld. Een duidelijk teken van oververhitting is dat er onderdelen van de haard rood gloeien. Als dat gebeurt, moet u de luchtopening direct verkleinen.

Vraag om professioneel advies als u vermoedt dat er geen goede trek in de schoorsteen zit (te veel of te weinig trek). Voor meer informatie, zie «4.0 Installatie» (Schoorsteen en kachelpijp)

5.2 As verwijderen

- **Belangrijk! U mag de as alleen verwijderen als de haard koud is.**
- Gebruik een schep of iets dergelijks om de as via de deur te verwijderen.
- Laat altijd een laagje as als beschermlaag op de bodem van de haard liggen.

6.0 Onderhoud

6.1 Glas reinigen

De haard is uitgerust met een ventilatieopening voor het glas. Lucht wordt aangezogen door de luchttoevoer boven de haard en stroomt langs de binnenkant van het glas naar beneden.

Toch zal zich altijd wel roet op het glas ophopen. De hoeveelheid is afhankelijk van de luchtstroom ter plaatse en de stand van de ventilatieopening. De roetlaag wordt gewoonlijk grotendeels weggebrand wanneer de ventilatieopening helemaal open staat en de haard flink brandt.

Goed advies! Maak voor een gewone schoonmaakbeurt een papieren handdoek nat met warm water en voeg er wat as uit de stookplaats aan toe. Wrijf met het papier over het glas en neem het glas daarna af met schoon water. Laat het glas goed drogen. Wanneer het glas grondig moet worden gereinigd, adviseren wij om glasreiniger te gebruiken (*volg de gebruiksaanwijzing op de verpakking*).

6.2 Schoonmaken en verwijderen van roet

Tijdens gebruik kan zich roet afzetten op de binnenwanden van de haard. Roet werkt isolerend en kan daardoor de warmteafgifte van de haard verminderen. Als er zich te veel roet ophoopt, kunt u dit met een roetverwijderaar eenvoudig verwijderen.

Als u wilt voorkomen dat zich roet of een teerlaag ophoopt in de haard, moet u regelmatig flink stoken om de gevormde laag te verwijderen. Een jaarlijkse schoonmaakbeurt van de binnenkant is nodig voor een optimale warmteafgifte van uw product. Het is verstandig dit gelijktijdig te doen met het schoonmaken van de schoorsteen en de kachelpijp

6.3 Kachelpijpen vegen tot aan de

schoorsteen

Kachelpijpen moeten worden geveegd via een veegluik voor de kachelpijp of via de deuropening.

Eerst moet een van de schotten worden verwijderd om dit te kunnen doen.

6.4 Inspectie van de haard

Jøtul raadt u aan om na het reinigen/vegen zelf een grondige inspectie van de haard uit te voeren. Controleer alle zichtbare oppervlakken op scheuren. Controleer ook of alle verbindingstukken goed zijn afgesloten en of de pakkingen zich in de juiste positie bevinden. Een pakking die tekenen van slijtage of vervorming vertoont, moet worden vervangen.

Maak de groeven van de pakking grondig schoon, breng keramische lijm aan (verkrijgbaar bij uw lokale Jøtul-dealer) en druk de pakking stevig aan. De lijm heeft een korte droogtijd

6.5 De buitenkant onderhouden

Bij **gelakte producten** kan er na een paar jaar verkleuring optreden. Voordat u een nieuwe laag verf aanbrengt, moet u het oppervlak reinigen en alle losse deeltjes wegvegen.

Geëmailleerde haarden moet u alleen met een schone, droge doek afnemen. Gebruik geen water en zeep. Eventuele vlekken kunt u met een vloeibaar reinigingsmiddel verwijderen (*zoals een ovenreiniger*).

7.0 Groot onderhoud

Waarschuwing! Er mogen geen wijzigingen aan het product worden uitgevoerd die niet door ons zijn goedgekeurd!

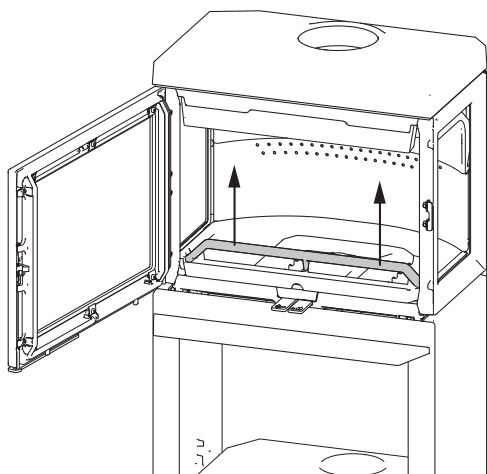
Gebruik uitsluitend originele reserveonderdelen!

7.1 De branderplaten, keerplaat en uitlaatplaat vervangen

NEDERLANDS

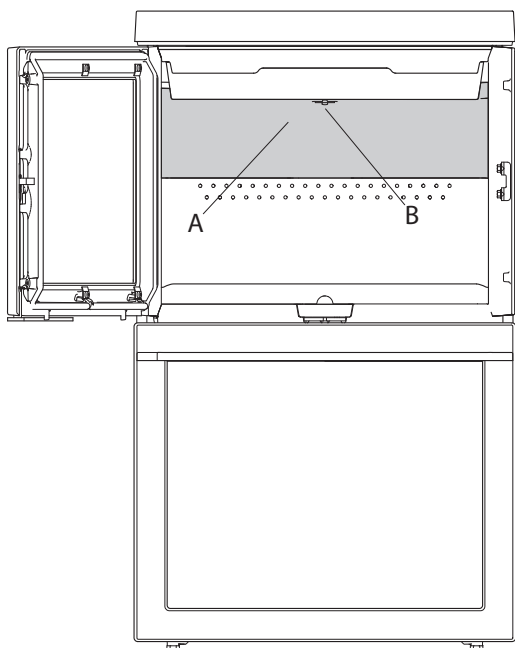
NB: Wees uiterst voorzichtig met het gereedschap! De vermiculietplaten kunnen beschadigd raken als u ze ruw behandelt.

Afb. 14



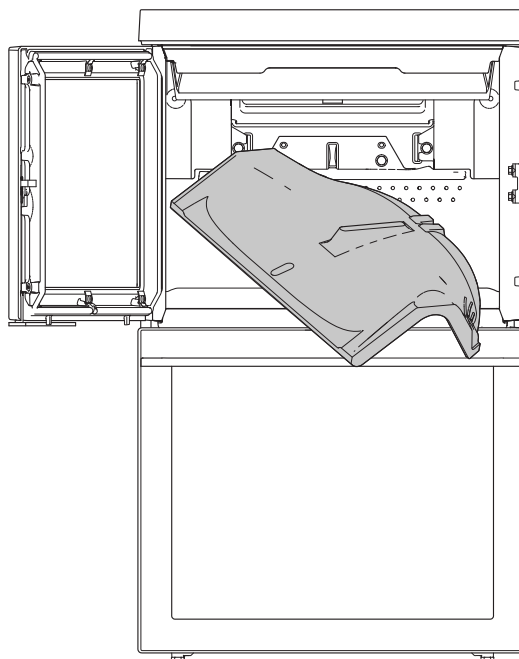
1. Verwijder eerst de blokhouder .

Afb. 15



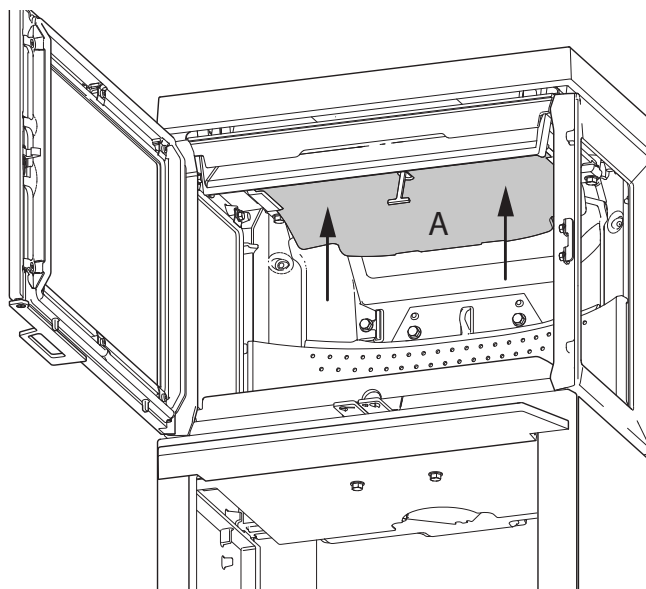
2. Til eerst de keerplaat (A) op. Draai de sleutel (B) 90° en verwijder deze dan. Trek de achterkant van de keerplaat naar beneden.

Afb. 16



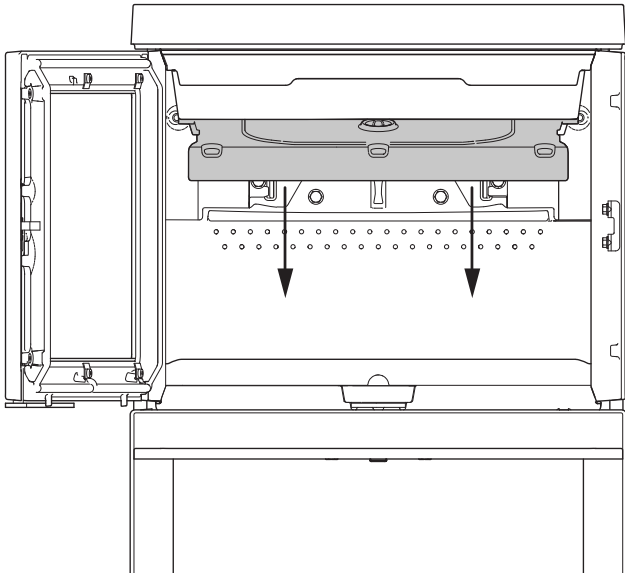
3. Draai één hoek naar u toe en trek deze zijdelings naar buiten.

Afb. 17



4. Verwijder daarna de uitlaatplaat (A) door deze eerst een klein stukje op te tillen. Duw de uitlaatplaat daarna naar achteren.

Afb. 18

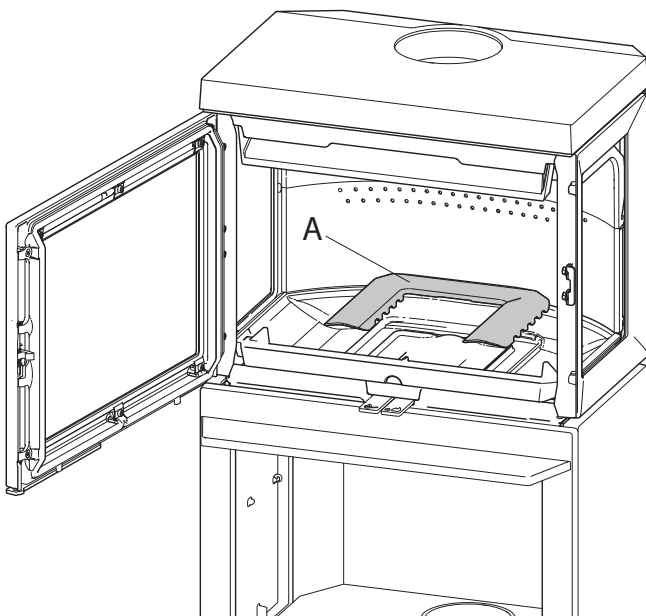


5. Laat de uitlaatplaat zakken en til deze eruit.
6. Volg voor het installeren dezelfde procedure in omgekeerde volgorde.

7.2 Het luchtkanaal en de binnenste bodemplaat vervangen

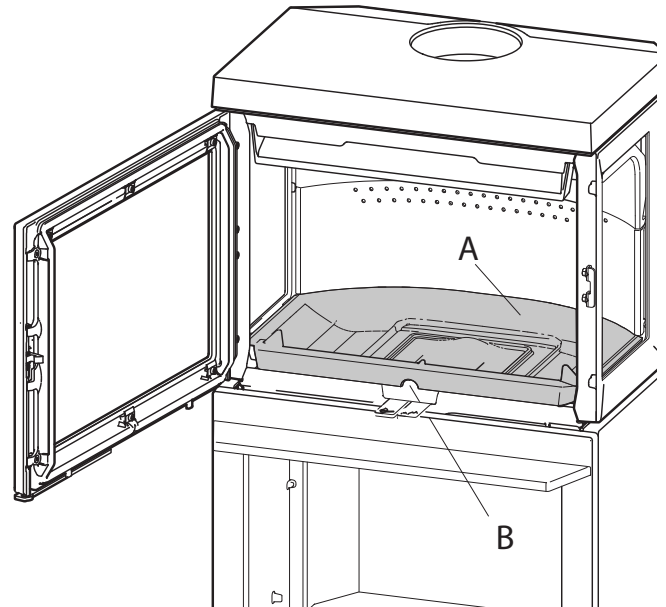
Het is van belang dat het element waterpas wordt geïnstalleerd in een gemetselde of geprefabriceerde ombouw en haard.

Afb. 19



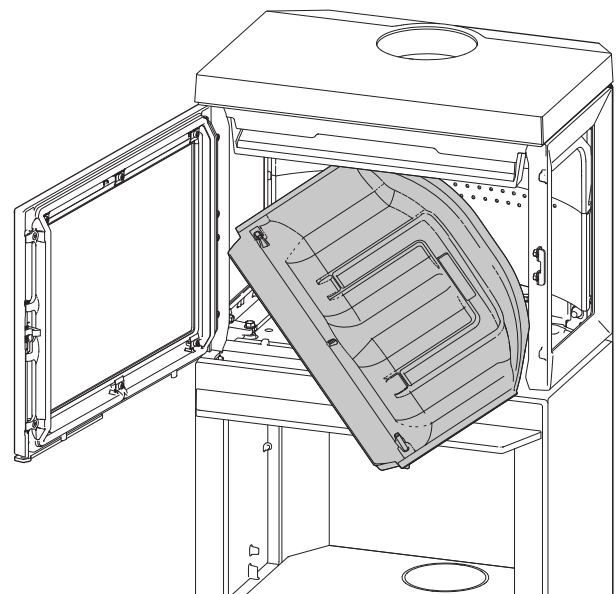
1. Til het luchtkanaal (A) op en verwijder het.

Afb. 20



2. Pak het gat (B) vooran in de binnenste bodemplaat vast (A) en til deze op.

Afb. 21



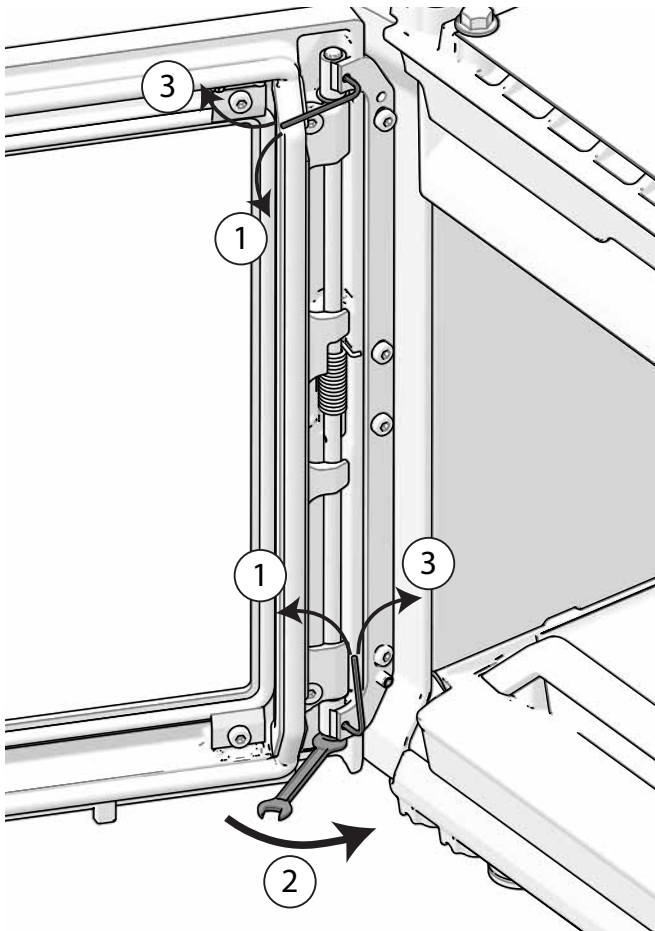
3. Draai één hoek naar u toe en trek de binnenste bodemplaat naar buiten.
4. Volg voor het installeren dezelfde procedure in omgekeerde volgorde.

NEDERLANDS

7.3 Zelfsluitende deur

Door deze wijziging aan te brengen, maakt u de deur zelfsluitend.

Afb. 22



1. Draai de twee inbusbouten los.
2. Draai de schroef aan de onderkant vast.
3. Draai de inbusbout weer vast.

NB! Deze bewerking moet meerdere keren worden uitgevoerd om het gewenste effect te bereiken.

8.0 Gebruiksproblemen - problemen oplossen

Slechte trek

Controleer de lengte van de schoorsteen en of hij voldoet aan de geldende wetten en voorschriften.

Zorg ervoor dat de minimale afmetingen van de schoorsteen overeenkomen met de beschrijving in «**2.0 Technische gegevens**».

Controleer of de afvoer van gassen niet wordt belemmerd, zoals bijvoorbeeld door takken of bomen, enzovoort.

Als u vermoedt dat de schoorsteen overmatig of onvoldoende trekt, neemt u contact op met een deskundige die maatregelen kan nemen.

Het vuur gaat na enige tijd uit

- Controleer of het brandhout droog genoeg is.
- Controleer of er onderdruk is in de woning, sluit mechanische ventilatiesystemen en open een raam dicht bij de haard.
- Controleer of de ventilatieopening is geopend.
- Controleer of de kachelpijp niet verstopt is met roet.

Als er zich een ongebruikelijke hoeveelheid roet ophoopt op het glas

Er zal zich altijd roet ophopen op het glas, maar de hoeveelheid is afhankelijk van:

- De vochtigheid van de brandstof.
- De luchtstroom ter plaatse.
- De instelling van de ventilatieopening.

De roetlaag wordt gewoonlijk grotendeels weggebrand wanneer de ventilatieopening helemaal open staat en de haard flink brandt.

9.0 Optionele extra's

9.1 Dekken voor inlaatkanaal voor frisse licht

Artikelnr. 51049688

9.2 inlaatkanaal voor frisse lucht Ø80

Artikelnr. 51047509

9.3 inlaatkanaal voor frisse lucht Ø100

Artikelnr. 51012164

9.4 Jøtul F 520 High Top

Artikelnr. 51053360

9.5 Warmteopslagsysteem

Artikelnr. 10026701

9.6 Deurvergrendeling, compleet, links

Voor een deur met scharnieren rechts

Artikelnr. 50045754

10.0 Recycling

10.1 Recyclen van de verpakking

- Uw kachel wordt in de volgende verpakking geleverd:
- Een houten pallet dat in stukken gesneden en in de kachel verbrand kan worden.
- Een kartonnen verpakking die naar een plaatselijke faciliteit voor recyclen van materialen gebracht moet worden.
- Plastic zakken die naar een plaatselijke faciliteit voor recyclen van materialen gebracht moet worden.

10.2 Recyclen van de kachel

De kachel is gemaakt van:

- Metaal dat naar een plaatselijke faciliteit voor recyclen van materialen gebracht moet worden.
- Glas dat afgedankt moet worden als gevaarlijk afval. Het glas van de kachel mag niet via het normale gescheiden afval worden afgedankt.
- Platen in de verbrandingskamer van vermiculiet die via het normale afval mogen worden afgedankt.

11.0 Garantievoorwaarden

1. Onze garantie dekt:

Jøtul AS garandeert dat de externe gietijzeren onderdelen vrij zijn van materiaal- en fabricagefouten op het moment van aankoop. U kunt de garantie op de externe gietijzeren onderdelen verlengen tot 25 jaar na de leverdatum door het product te registreren op jotul.com en het bewijs van deze verlengde garantie binnen drie maanden na aankoop uit te printen. We adviseren u het garantiebewijs samen met de aankoopbon te bewaren. Jøtul AS garandeert tevens dat de staalplaten onderdelen vrij zijn van materiaal- en fabricagefouten op het moment van aankoop en tot 5 jaar na de leverdatum.

Deze garantie geldt op voorwaarde dat de kachel is geïnstalleerd door een erkende installateur, overeenkomstig de geldende wet- en regelgeving en Jøtul's installatie- en gebruiksinstructies. Gerepareerde producten en vervangende onderdelen vallen onder de garantie gedurende het resterende deel van de oorspronkelijke garantieperiode.

2. De garantie dekt niet:

- 2.1. Schade aan verbruiksonderdelen zoals brandplaten, vuurroosters, keerschotten, ringen en vergelijkbare onderdelen, aangezien deze onderhevig zijn aan normale slijtage.
- 2.2. Schade veroorzaakt door onjuist onderhoud, oververhitting, gebruik van ongeschikte brandstof (waaronder begrepen maar niet beperkt tot drijfhout, geïmpregneerd hout, houtafval, spaanplaat) of te vochtig hout.
- 2.3. Installatie van optionele extra's teneinde de trek, luchttoevoer en andere externe factoren buiten de invloedssfeer van Jøtul te verbeteren.
- 2.4. Aanpassingen of wijzigingen aan de haard zonder toestemming van Jøtul of het gebruik van niet-originele onderdelen.
- 2.5. Schade veroorzaakt tijdens opslag bij een distributeur, transport vanaf een distributeur of tijdens de installatie
- 2.6. Producten verkocht door niet-erkende verkopers in regio's waar Jøtul met een selectief distributiesysteem werkt.
- 2.7. Bijbehorende kosten (waaronder begrepen maar niet beperkt tot transport-, arbeids- en reiskosten) of indirecte schade.

Voor pelletkachels, glas, steen, beton, email en lak (waaronder begrepen maar niet beperkt tot breuken, scheuren, barsten, blaasjes, verkleuring of craquelé) geldt de nationale wetgeving die van toepassing is op de verkoop van consumentengoederen. Deze garantie is geldig voor aankopen gedaan binnen de Europese Economische Ruimte. Alle garantieaanspraken dienen binnen een redelijke termijn te worden gericht aan uw lokale erkende Jøtul-dealer, uiterlijk 14 dagen nadat de fout of het gebrek is geconstateerd. Zie onze website www.jotul.com voor een overzicht van importeurs en dealers.

Wanneer Jøtul niet is staat is om zijn verplichtingen na te komen zoals vermeldt in bovenstaande garantie voorwaarden, Jøtul zal dan een alternatief product kosteloos aanbieden met gelijke verwarmingscapaciteit.

Jøtul behoudt zich het recht voor af te zien van reparatie of vervanging van onderdelen in het geval dat de garantie niet online is geregistreerd. Deze garantie doet geen afbreuk aan enig recht krachtens de geldende nationale wetgeving van toepassing op de verkoop van consumentengoederen. Het nationale reclamerecht geldt vanaf de aankoopdatum en uitsluitend onder overlegging van een aankoopbon/serienummer.

Spis treści

| | |
|----------------------------------|----|
| 1.0 Zgodność z przepisami..... | 50 |
| 2.0 Dane techniczne..... | 50 |
| 3.0 Bezpieczeństwo | 51 |
| 4.0 Montaż | 55 |
| 5.0 Eksploatacja | 58 |
| 6.0 Konserwacja..... | 60 |
| 7.0 Serwis..... | 61 |
| 8.0 Problemy eksploatacyjne..... | 63 |
| 9.0 Wyposażenie dodatkowe..... | 64 |
| 10.0 Recykling | 64 |
| 11.0 Gwarancja | 64 |

Aby uzyskać 25-letnią gwarancję, zarejestruj swój piec na jotul.com.

| | | | | |
|--|----------------|----------------------|--|--|
| Product: Jøtul Room heater fired by solid fuel | | | | |
| Standard Minimum distance to adjacent combustible materials: Minimum distance to adjacent non-combustible materials: Emission of CO in combustion products: Flue gas temperature Nominal heat output Efficiency Operation range Fuel type Operational type The appliance can be used in a shared flue. | | | | |
| Country | Classification | Certificate/standard | Approved by | |
| Norway | Class II | | | |
| Sweden | Doc | SP | SP-Sveriges Provnings- och Forskningsinstitut AB | |
| EU/EEA | Intermittent | EN | SP-Swedish National Testing and Research Institute | |
| Follow user's instructions. Use only recommended fuels. Montage- und Bedienungsanleitung beachten. Verwenden Sie nur empfohlenen Brennstoffen. Respectez les consignes d'utilisation. Utilisez uniquement les combustibles recommandés. | | | | |
| Lot no.: Yxxxx, Year: 200x | | | | |
| Manufacturer: Jøtul AS POB 1441 N-1602 Fredrikstad Norway | | | | |

Na każdym z naszych produktów widnieje etykieta pokazująca numer seryjny oraz rok produkcji. Numer ten należy wpisać w miejscu wskazanym w instrukcji obsługi.

Numer ten należy podać przy każdym kontakcie ze sklepem lub firmą Jøtul.

Lot no. Pin.

1.0 Zgodność z przepisami

- Montaż pieca należy wykonać zgodnie z przepisami obowiązującymi w danym kraju. W trakcie montażu urządzenia należy przestrzegać wszelkich przepisów lokalnych, jak również przepisów odnoszących się do norm krajowych lub europejskich.
- Przed użyciem urządzenia cała instalacja musi zostać sprawdzona przez wykwalifikowanego i uprawnionego instalatora.

2.0 Dane techniczne

Materiał: Żeliwo
Wykończenie: Czarna farba
Króciec dymowy: Górny
Średnica rury dymowej: Ø 150 mm
Dopływ świeżego powietrza: Ø80 / Ø100 mm

Masa urządzenia: 170 kg
Wyposażenie dodatkowe: Osłona dopływu powietrza – podłączenie przez podstawę
Wymiary i odległości: Patrz **Rys. 1**

Dane techniczne zgodne z normą EN 13240

Nominalna moc grzewcza: 7,0 kW
Masa przepływających gazów spalinowych: 7,1 g/s
Zalecany ciąg kominowy, EN 13240: 12 Pa
Zalecane podciśnienie w króćcu dymowym: 16-18 Pa
Wydajność: 77%
Emisja CO (13% O₂): 0,07%
Emisja CO (13% O₂): 884 mg/m³
NOx (13% O₂): 54 mg/m³
OGC (13% O₂): 60 mg/m³
Emisja cząsteczek, NS 3059: 1,88 g/kg
Zużycie powietrza: 6,0 l/s lub 21,6 m³/h
Temperatura spalin, EN 13240: 305 °C
Emisja pyłów (13%O₂): 14 mg/m³

Typ opału: Drewno
Max długość polan: 30 - 50 cm
Zużycie opału: 2,3 kg/h
Max ilość podpałki: 3,4 kg
Nominalna ilość podpałki: 1,7 kg w 2 - 3 polanach
Tryb pracy: Okresowy

Palenie okresowe oznacza codzienną eksploatację pieca na drewno. Innymi słowy, ogień musi wypalić się do żaru przed ponownym dołożeniem opału do pieca.

3.0 Bezpieczeństwo

UWAGA! Aby zagwarantować optymalne funkcjonowanie i bezpieczeństwo użytkownika, montaż urządzenia musi zostać przeprowadzony przez wykwalifikowanego instalatora (pełna lista dealerów – www.jotul.com).

Wszelkie modyfikacje produktu wprowadzone przez dystrybutora, instalatora, bądź też kupującego mogą mieć wpływ na prawidłowe działanie urządzenia. To samo odnosi się do instalacji akcesoriów i wyposażenia opcjonalnego niedostarczonego przez firmę Jøtul. Ponadto usunięcie lub demontaż części niezbędnych dla prawidłowego działania urządzenia może wpłynąć na bezpieczeństwo w jego eksploatacji.

W powyższych przypadkach producent nie ponosi odpowiedzialności za produkt, a gwarancja na produkt zostaje anulowana.

Uwaga! Części urządzenia, w szczególności powierzchnie zewnętrzne, rozgrzewają się do wysokich temperatur podczas palenia! Należy zachować ostrożność!

3.1 Środki zapobiegawcze na wypadek pożaru

Podczas każdego użycia pieca istnieje niebezpieczeństwo pożaru. By go uniknąć należy stosować się do poniższych zaleceń:

- Zachować minimalne odległości podczas montażu i eksploatacji (**Rys.1**).
- Upewnić się, że meble i wszelkie inne materiały palne znajdują się w odpowiedniej odległości od pieca. Zaleca się, by materiały palne znajdowały się w odległości minimum **900 mm** od pieca.
- Odczekać by ogień w piecu się wypalił. Nie wolno wygaszać pieca wodą.
- Piec nagrzewa się podczas eksploatacji i w przypadku bezpośredniego kontaktu ze skórą może spowodować oparzenia.
- Usuwać popiół, gdy piec wystygł. Popiół może zawierać żar i z tego powodu powinien być umieszczony w pojemniku wykonanym z materiału żaroodpornego.
- Popiół należy składować na zewnątrz, bądź usuwać w miejsce, które nie stwarza zagrożenia pożarowego.

W przypadku pożaru w kominie:

- Należy zamknąć wszystkie regulacje i zawory.
- Zamknąć drzwiczki komory spalania.
- Sprawdzić poddasze i piwnice czy nie stwierdza się obecności dymu.
- Wezwać straż pożarną.
- Po wykryciu pożaru, przed ponownym użyciem produktu należy przeprowadzić ponowną kontrolę, by upewnić się, że cały układ działa poprawnie.

Komin stalowy

W przypadku, gdy urządzenie ma być podłączone do stalowego kominu od góry, należy użyć rury dymowej, której izolacja będzie zaczynała się ok. 10 mm nad ścianą górną pieca. Ponadto należy upewnić się, że uszczelka została prawidłowo umieszczona pomiędzy rurą dymową, a króćcem dymowym. Następnie zamontować stalowy komin zgodnie z zaleceniami producenta kominu określonymi i opisanymi w instrukcji montażowej producenta.

3.2 Podłoga

Fundamenty

Przed umieszczeniem urządzenia na zaplanowanym do tego celu miejscu należy upewnić się, że fundamenty są dostatecznie wytrzymałe, by utrzymać masę pieca. Patrz <<2.0 Dane techniczne>> dla określonej masy.

Zaleca się, by na obszarze montażu pieca podłoga, która nie jest przymocowana do fundamentów (tzw. podłoga pływająca) została usunięta.

Ochrona podłóg z materiałów palnych znajdujących się przed piecem

Parametry i właściwości płyty podłogowej muszą być zgodne z przepisami i normami krajowymi.

Aby uzyskać stosowne informacje dotyczące wymogów i przepisów montażowych, należy skontaktować się z lokalnymi władzami budowlanymi.

3.3 Ściany

Odległości od ścian palnych – Rys. 1b.

Odległości od ścian palnych ze ścianą ogniową – Rys. 1c.

Niniejszy piec został dopuszczony do stosowania z nieizolowaną rurą dymową i odległością od ściany z materiału palnego – **Rys. 1a**. Alternatywne odległości z osłoniętą lub izolowaną rurą dymową – **Rys. 1b**.

Uwaga! Należy umieścić urządzenie w taki sposób, aby z łatwością można było przeprowadzić czyszczenie pieca, rur dymowych i przejścia kominowego.

Uwaga! Należy upewnić się, że materiały palne nie znajdują się zbyt blisko urządzenia. Materiały palne powinny znajdować się w odległości dalszej niż **900 mm** od pieca.

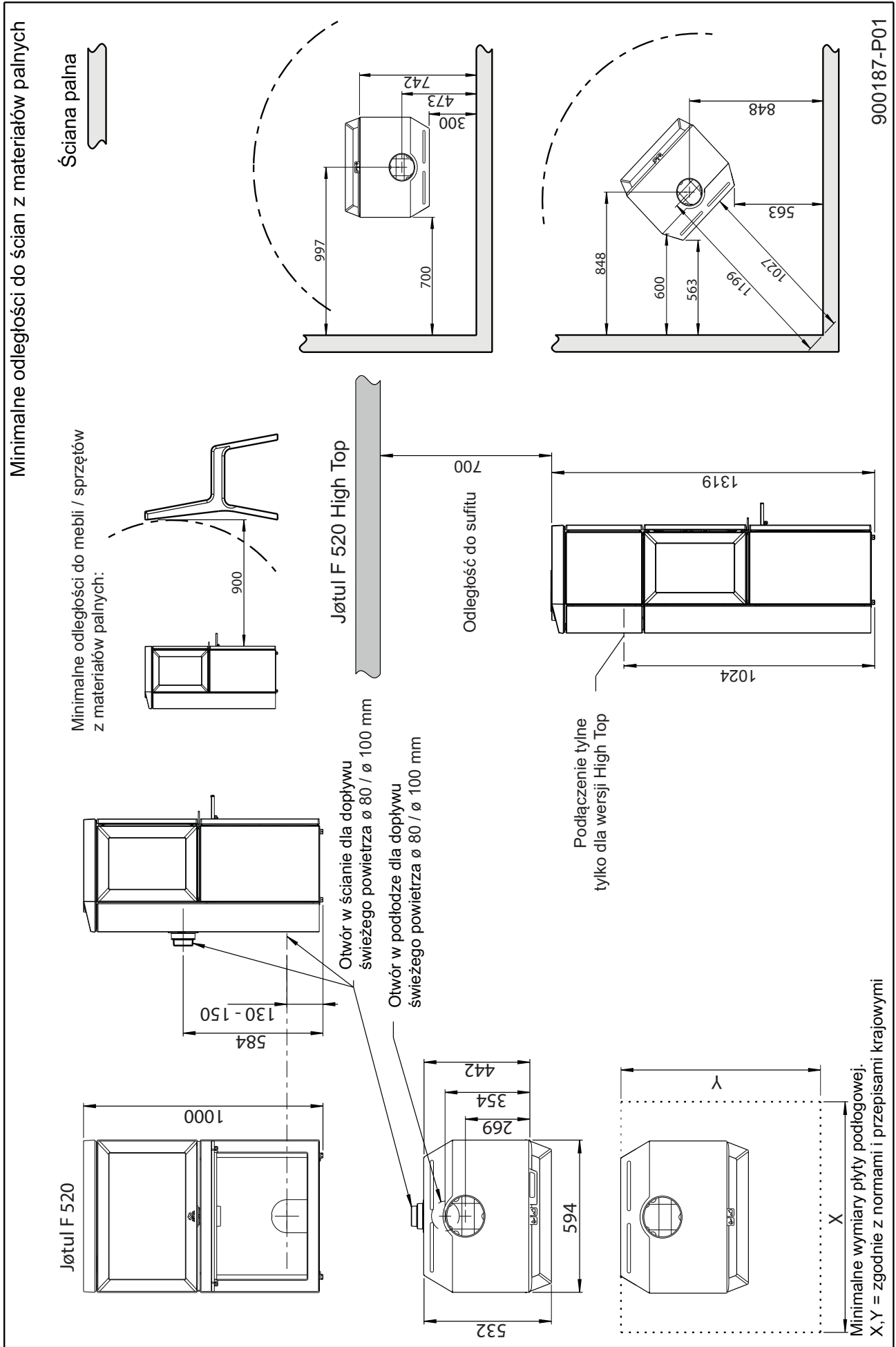
Uwaga! Należy upewnić się, że meble i wszelkie inne sprzęty domowe nie znajdują się zbyt blisko pieca, co może powodować ich wysychanie.

3.4 Sufit

Piec należy zamontować tak, aby górna krawędź elementów podłączeniowych znajdowała się przynajmniej **750 mm** poniżej sufitu wykonanego z materiału palnego.

Jøtul F 520 / Jøtul F 520 High Top

Rys. 1 a



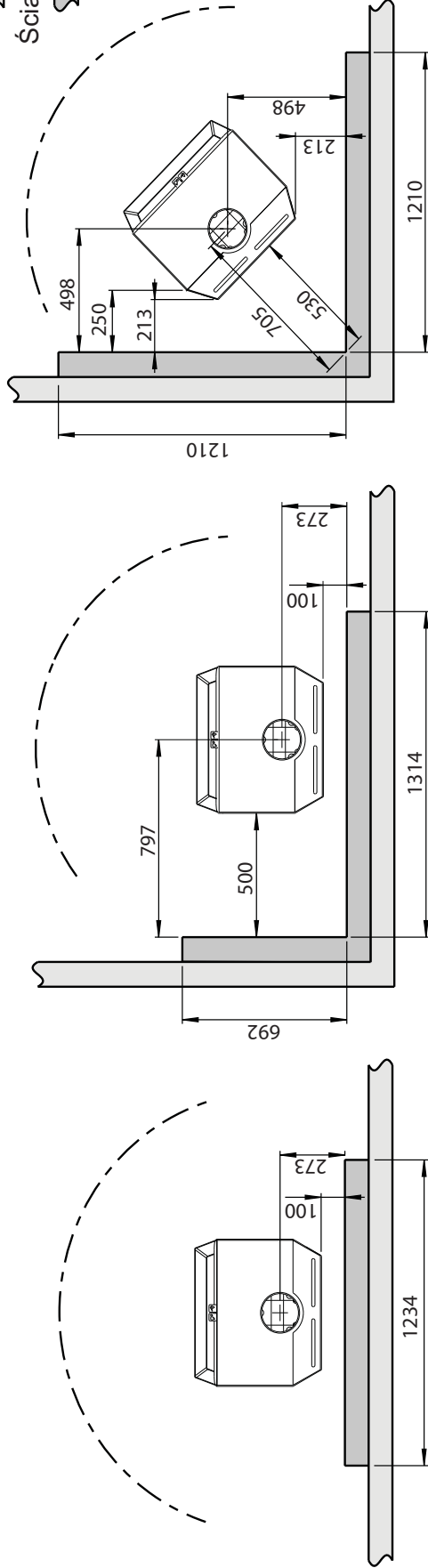
Rys. 1 b

Jøtul F 520

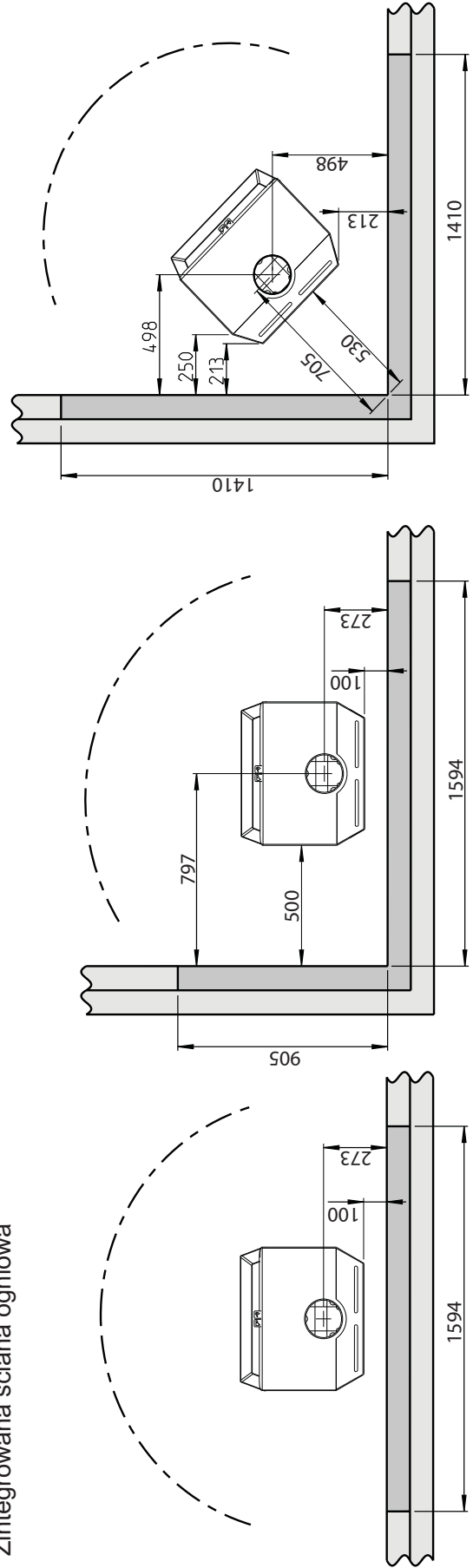
Minimalne odległości do ścian palnych zabezpieczonych ścianą ogniową

Zewnętrzna ściana ogniowa

Ściana palna
Ściana ogniowa



Zintegrowana ściana ogniowa



900187-P01

POLSKI

Dopływ świeżego powietrza

Powietrze potrzebne do procesu spalania w domu, w którym znajduje się piec, musi ulegać wymianie. Jest to w szczególności istotne w domach zaopatrzonych w mechaniczny system wentylacyjny. Taka wymiana powietrza może zachodzić na kilka sposobów. Jednak najważniejszy jest dostęp powietrza do pokoju, gdzie znajduje się piec. W tym celu, aby umożliwić wymianę powietrza, należy umieścić czerpnię z regulacją na ścianie zewnętrznej, jak najbliżej pieca i upewnić się, że zostanie on zamknięty, gdy piec nie jest w użyciu.

Aby prawidłowo przeprowadzić proces podłączenia dopływu świeżego powietrza, należy zastosować się do krajowych i regionalnych przepisów budowlanych.

System szczelnego spalania

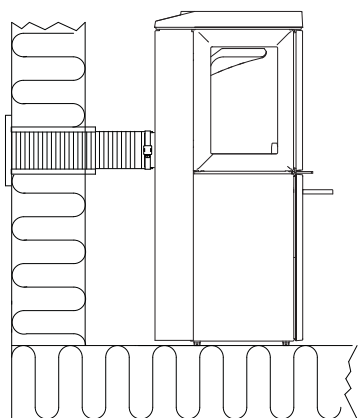
Jeśli budynek, w którym został zamontowany piec, jest świeżo wybudowany i wykazuje właściwości wysokiej szczelności, należy zastosować system szczelnego spalania. W tym celu należy podłączyć dopływ świeżego powietrza przez rurę wentylacyjną prowadzoną przez ścianę lub podłogę.

Dopływ powietrza

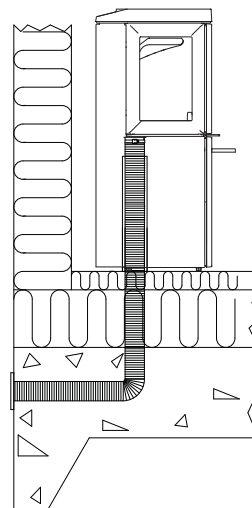
Ilość powietrza potrzebnego do spalania dla urządzeń firmy Jøtul wynosi około 20-30 m³/h. Dopływ świeżego powietrza może zostać podłączony bezpośrednio do urządzenia Jøtul F 520 poprzez:

- spód/tył,
- istnieje ponadto możliwość zamontowania giętkiego przewodu od zewnątrz / komina, (ale tylko, jeśli komin posiada swój osobny nawiew świeżego powietrza), który będzie transportował powietrze do spalania przez łącznik dołotu świeżego powietrza znajdujący się w urządzeniu.

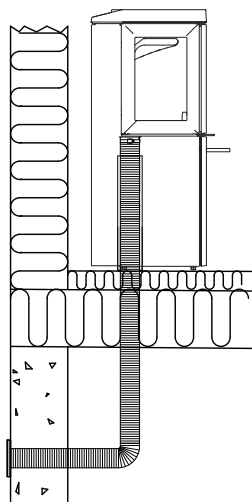
Rys. 2A, podłączenie przez ścianę zewnętrzną



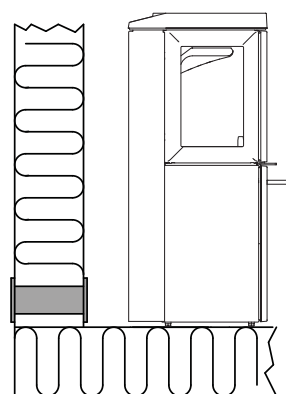
Rys. 2B, podłączenie przez podłogę i płytę fundamentową



Rys. 2C, podłączenie przez podłogę i piwnicę



Rys. 2D, podłączenie pośrednie przez ścianę zewnętrzną



4.0 Montaż

UWAGA! Przed montażem pieca należy dokładnie sprawdzić, czy nie ma na nim śladów uszkodzeń.

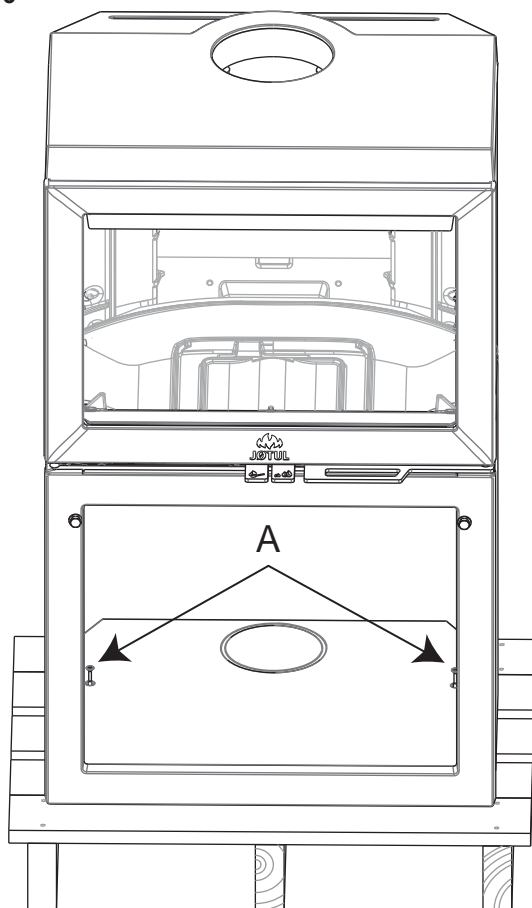
UWAGA! Produkt jest ciężki! Należy podnosić oraz montować piec z pomocą innych osób. Zabezpieczyć produkt przed przewróceniem się!

UWAGA! Nie kłaść ciężkich przedmiotów na górnej powierzchni pieca – takie działanie może spowodować trwałe uszkodzenie warstwy malarskiej.

UWAGA! Przed rozpoczęciem montażu, należy dokładnie zapoznać się z Instrukcją Montażu i Obsługi

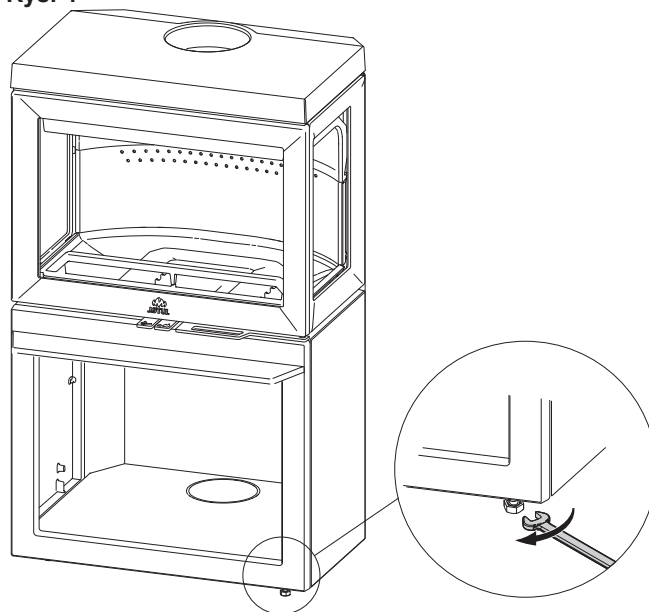
4.1 Przygotowanie - montaż - Jøtul F 520

Rys. 3



1. Usunąć dwie śruby transportowe (A), mocujące piec do drewnianej palety, na której jest on transportowany.
2. Pozostawić piec na drewnianej paletce transportowej.
3. Sprawdzić czy ręczki funkcji kontrolnych (B) działają bez oporu.

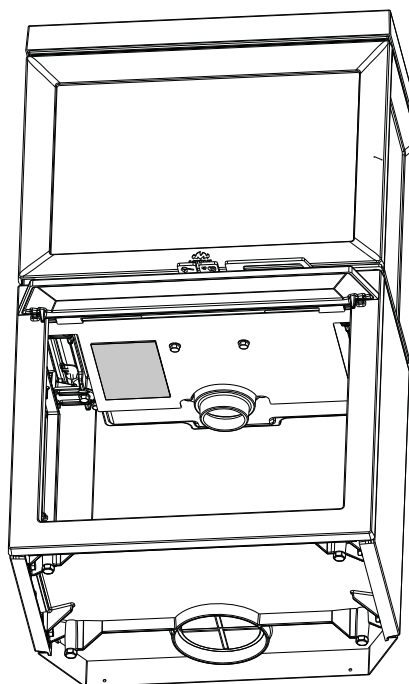
Rys. 4



4. Zdjąć piec z palety.
5. Ustawić i wypoziomować jego ustawienia przy pomocy 4 śrub regulacyjnych znajdujących się w nogach pieca. W tym celu należy zastosować kłuczek płaski w pozycji poziomej.

Tabliczka znamionowa

Rys. 5



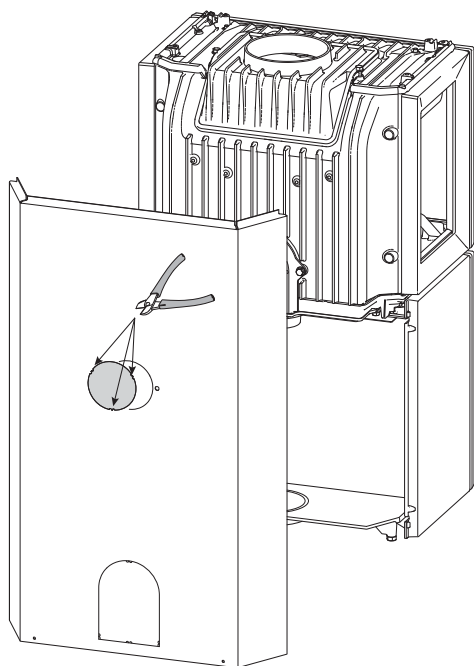
POLSKI

4.2 Podłączenie świeżego powietrza przez podstawę

Podłączenie świeżego powietrza przez osłonę tylną

Jøtul F 520 jest dostarczany z króćcem dopływu powietrza do zamontowania od spodu urządzenia. W razie potrzeby króciec powietrza może zostać zamontowany z tyłu urządzenia.

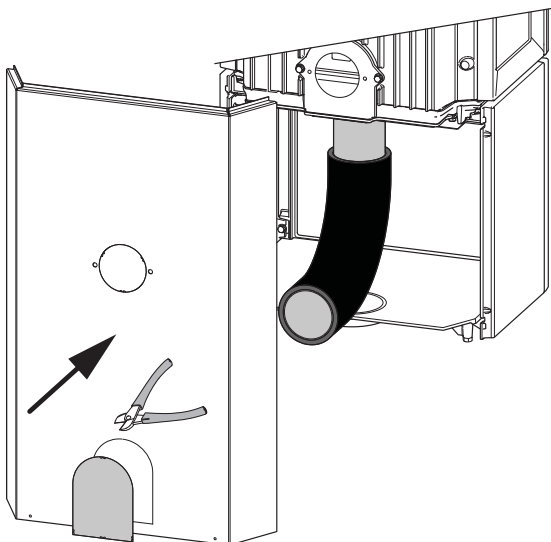
Rys. 6



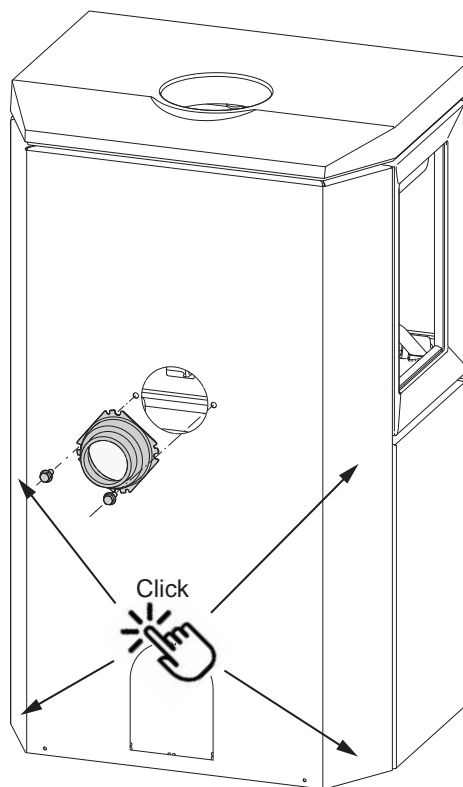
1. Wyciąć zaślepkę w tylnej osłonie za pomocą szczyptic tnących - ciąć w miejscu linii przerywanej.

Alternatywa podłączenie świeżego powietrza przez osłonę tylną

Rys. 6b

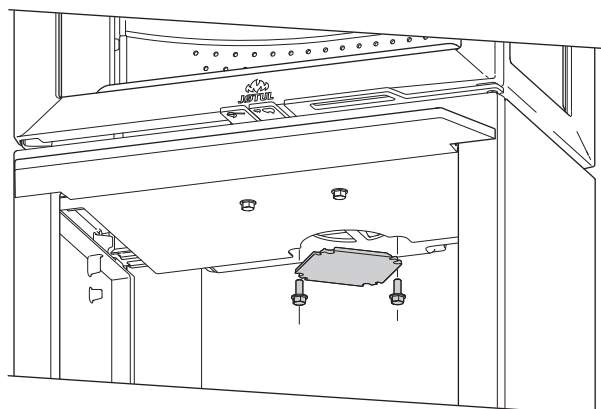


Rys. 7



2. Przenieść króciec dopływu powietrza ze spodniej strony pieca na tył pieca.
3. Do zamocowania rury doprowadzającej świeże na króćcu o średnicy $\varnothing 80 \text{ mm} / \varnothing 100 \text{ mm}$ (wyposażenie dodatkowe – pozycja nr 51047509 / 51012164), należy odnieść się do zaleceń instrukcji (pozycja nr 10047508) załączonej do zestawu ujęcia świeżego powietrza. Aby dowiedzieć się więcej – dział instrukcji dotyczący zestawu ujęcia świeżego powietrza. Giętki przewód doprowadzający powietrze do spalania zamocować do króćca świeżego powietrza za pomocą zacisku, bez stosowania złączy. Izolacja giętkiego przewodu doprowadzającego powietrze do spalania ma kończyć się ok. **100 mm** poniżej komory spalania.

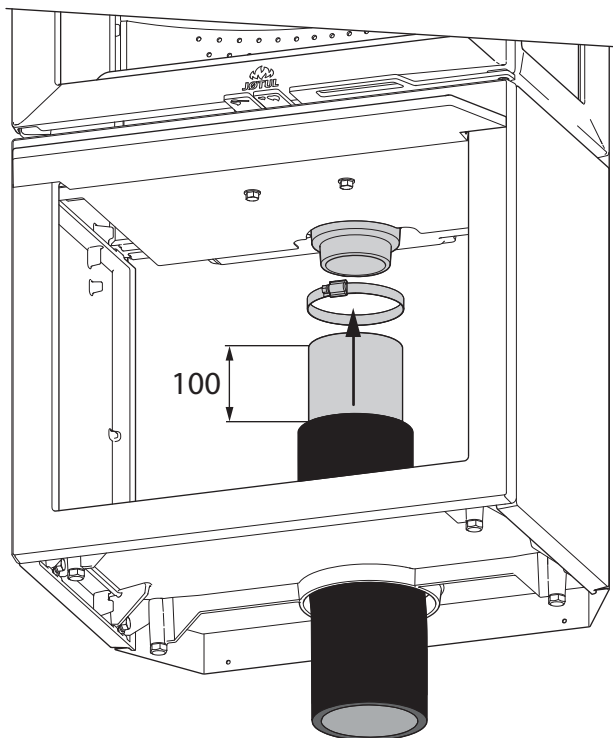
Rys. 8



Następnie należy zamontować zaślepkę króćca świeżego powietrza na ścianie dolnej pieca.

Podłączenie świeżego powietrza przez podłogę

Rys. 9



1. Mocno uderzyć ciężkim młotkiem po środku zaślepki
2. Giętki przewód przeciągnąć przez podłogę i ku górze aż do króćca dopływu powietrza.
3. Przymocować przewód do króćca dopływu powietrza zewnętrznego za pomocą opaski zaciskowej
4. Do zamocowania rury na króćcu świeżego powietrza o średnicy $\varnothing 80$ mm/ $\varnothing 100$ mm (wyposażenie dodatkowe – pozycja nr 51047509 / 51012164), należy odnieść się do zaleceń instrukcji (pozycja nr 10047508) załączonej do zestawu ujęcia świeżego powietrza. By dowiedzieć się więcej – dział instrukcji dotyczący zestawu ujęcia świeżego powietrza. Giętki przewód doprowadzający powietrze do spalania zamocować do króćca świeżego powietrza za pomocą zacisku, bez stosowania złączy. Izolacja giętkiego przewodu doprowadzającego powietrze do spalania ma kończyć się średnio **100 mm** poniżej komory spalania.

4.3 Komin i rury podłączeniowe

- Piec należy podłączyć do kominia i przewodu dymowego przeznaczonych do połączeń pieców na paliwa stałe o temperaturze spalin zgodnej ze specyfikacją podaną w dziale «**2.0 Dane techniczne**».
- Kilka pieców opalanych paliwem stałym może być podłączonych do jednego systemu kominowego, jeśli wymiar przekroju przewodu dymowego na to pozwala. **UWAGA!** Zanim wykonamy takie połączenie należy najpierw dokładnie zapoznać się z obowiązującymi przepisami, by uzyskać pełne informacje w kwestii dozwolonych czynności w takich przypadkach. Należy pamiętać, że nawet bardzo dobrej jakości komin nie osiągnie satysfakcjonujących parametrów pracy, jeśli będzie używany niezgodnie z zasadami.

- Przekrój poprzeczny kanału dymowego ma mieć przynajmniej tę samą wielkość jak przekrój króćca dymowego. Aby obliczyć prawidłowy i wymagany przekrój kanału, należy odnieść się do specyfikacji zamieszczonej w dziale «**2.0 Dane techniczne**».
- Proces podłączenia kominia należy przeprowadzić zgodnie z instrukcjami montażowymi dostawcy kominia.
- Przed wykonaniem otworu w kominie należy najpierw przeprowadzić próbny montaż pieca, aby zaznaczyć prawidłową pozycję pieca i otwór w kominie. Dla odległości minimalnych - **Rys. 1**.
- Należy upewnić się, że przewód dymowy na całej swojej długości skierowany jest do góry.
- W przypadku króćca tylnego, w systemie rur dymowych należy zastosować kolano zaopatrzone w otwór rewizyjny, który umożliwi i w znacznym stopniu ułatwi przyszłe czyszczenie przewodu kominowego.
- W przypadku połączeń tych elementów, należy bezwzględnie zachować ich elastyczność, aby uniknąć późniejszych ruchów instalacji, co może prowadzić do powstawania pęknięć.
- By uzyskać informacje na temat parametrów zalecanego ciągu kominowego, należy odnieść się do specyfikacji podanej w dziale «**2.0 Dane techniczne**» w instrukcji montażowej. Aby dowiedzieć się więcej na temat prawidłowych wartości przekroju przewodu kominowego - wartości podane w dziale «**2.0 Dane techniczne**».

Uwaga! Minimalna zalecana wysokość kominia wynosi 4,5 m od poziomu paleniska. Jeśli ciąg jest za mocny, wówczas możemy zamontować przepustnicę, dzięki której będziemy mogli regulować siłę ciągu.

Postępowanie przy zmiennych warunkach pogodowych

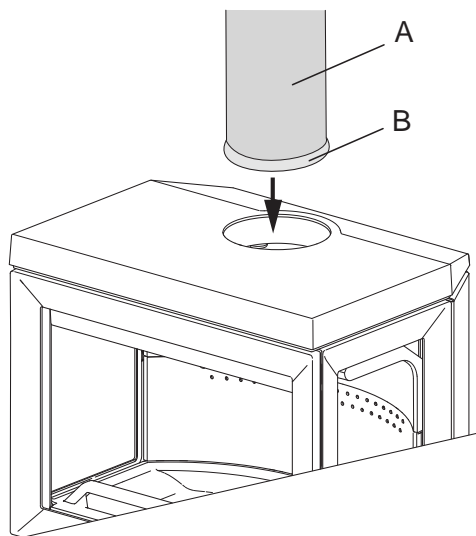
Działanie wiatru na komin może mieć zasadniczy wpływ na to jak piec reaguje na silne podmuchy wiatru. Może zaistnieć konieczność dostosowania ujęcia świeżego powietrza, by osiągnąć zadowalające parametry spalania.

POLSKI

4.4 Montaż rury dymowej / górny wylot

Urządzenie jest fabrycznie dostosowane do podłączenia od góry.

Rys. 10

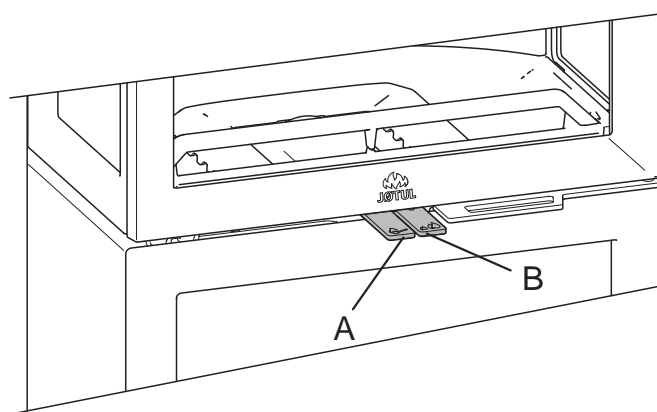


1. Przeciągnąć rurę dymową (A) przez płytę górną i umieścić w króćcu dymowym.
2. Dokładnie uszczelnić uszczelką (B)

4.5 Kontrola działania

Gdy piec jest podłączony należy zawsze przeprowadzić test funkcji kontrolnych. Ruchome elementy powinny poruszać się z łatwością i funkcjonować w prawidłowy sposób.

Rys. 11

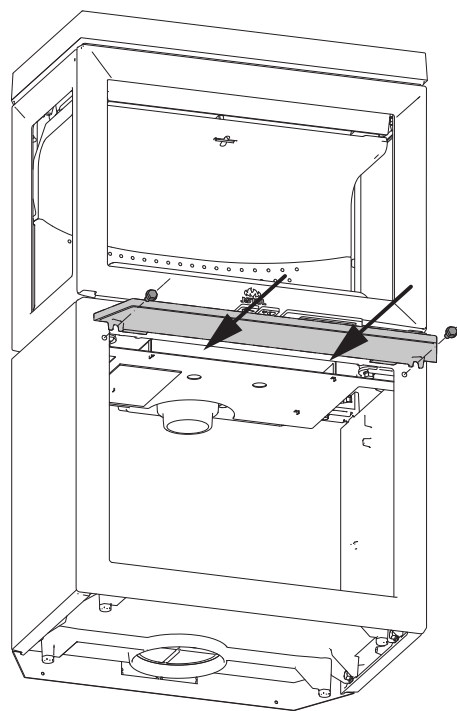


Jøtul F 520 został wyposażony w następujące funkcje kontrolne:

- Wyciągnąć cięgno powietrza do rozpalania (A). Cięgno regulacji powietrza do spalania (B) podąża za nim automatycznie.

4.6 Montaż półki popielnikowej

Rys. 12



5.0 Eksploatacja

Zapachy emitowane podczas pierwszego użycia pieca

Piec może wydzielać drażniący zapach podczas pierwszego użycia. Przyczyną jest utwardzanie się powłoki malarskiej. Mimo, że powstały podczas tego procesu zapach nie jest toksyczny, pomieszczenie należy dokładnie wywietrzyć. Należy pozwolić, aby ogień palił się przy dużym dostępie powietrza do spalania, aż wszelkie ślady zapachu znikną, a dym lub nieprzyjemny zapach nie będą już wyczuwalne.

Zalecenia dotyczące palenia

Uwaga! Polana, które są składowane na zewnątrz należy przenieść do budynku na 24 godziny przed użyciem, aby osiągnęły temperaturę otoczenia.

Istnieje kilka różnych sposobów opalania drewnem, ale istotne jest, aby przestrzegać zasad dotyczących materiałów używanych do opalania pieca. Patrz dział <<Jakość drewna opałowego >>.

UWAGA! Niewystarczający dostęp powietrza do spalania może prowadzić do słabego spalania, wysokiej emisji cząstek stałych i tlenku węgla oraz niskiej wydajności.

Jakość drewna opałowego

Poprzez dobrą jakość drewna opałowego rozumiemy polana np.: z brzozy, buku oraz grabu.

Drewno dobrej jakości powinno być wysuszone, tak by stopień wilgotności nie przekroczył 20 %.

Aby to osiągnąć, drzewo należy ścinać najdalej późną zimą. Powinno zostać pocięte oraz ułożone na stosie w sposób umożliwiający cyrkulację powietrza. Stosy drewna należy zabezpieczyć przed nadmierną absorpcją wody deszczowej. Jesienią drewno powinno być schowane w pomieszczeniu, aby użyć go w okresie zimowym.

Nigdy nie należy rozpalać ognia w kominku przy użyciu następujących materiałów:

- Śmieci, toreb plastikowych, itp.
- Malowanego, bądź impregnowanego drewna (wysoce toksyczne).
- Płyt wiórowych lub płyt z laminatu.
- Drewna wyrzuconego przez morze (zanieczyszczone solą).

Taka praktyka może uszkodzić urządzenie i zanieczyścić atmosferę.

UWAGA! Nie stosować do rozpalania ognia płynów łatwopalnych takich jak benzyna, nafta, alkohol lub podobnych. Może to spowodować zagrożenie dla zarówno użytkownika jak i samego urządzenia.

Drewno do rozpalki (szczyapy):

| | |
|-----------|--|
| Długość: | Maks. 30 - 50 cm |
| Średnica: | 6-10 cm |
| Ilość: | 3 szt. (0,6 - 0,8 kg) oraz 10 - 12 szt. o całkowitej masie 1 kg. |

Drewno opałowe (polana):

| | |
|----------|---|
| Długość: | 30 - 50 cm |
| Ilość: | 2 lub 3 polana o masie 0,7 kg każde, tj. ok. 1,5 - 2,0 kg wsadu za każdym razem |

Przerwa na dołożenie do ognia: ok. 50 minut

Wymagana ilość opału przy pojedynczym cyklu palenia: 2 - 3 szt.

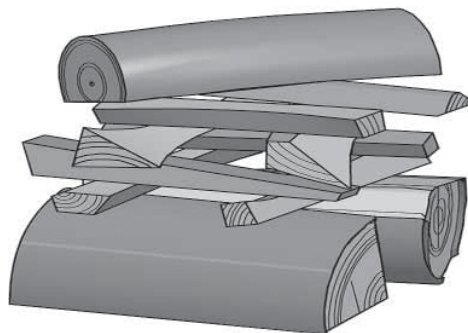
Maksymalny, jednorazowy załadunek drewna: 2,3 kg

Nominalną moc cieplną można uzyskać, gdy cięgną powietrza do spalania jest otwarte na ok. 30%. Maksymalny odbiór ciepła uzyskuje się przy cięgnięciu powietrza otwartym na 50%.

Pierwsze rozpalenie

- Otworzyć regulatory dopływu powietrza przez całkowite wyciągnięcie rączek. (Należy użyć rękawicy lub podobnego przedmiotu o funkcjach ochronnych, na wypadek gdyby rączki funkcji kontrolnych były zbyt gorące.).

Rys. 13



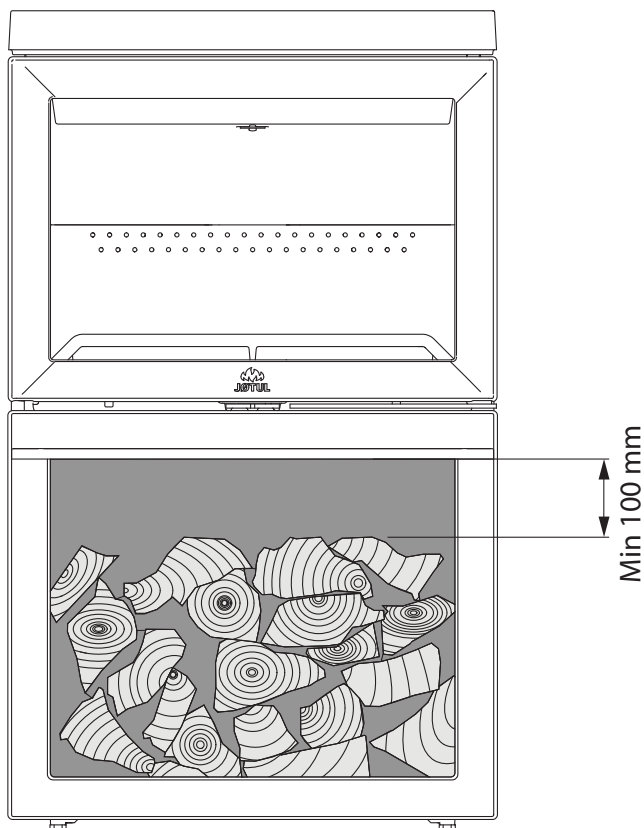
- Umieścić dwa polana na dnie komory spalania i warstwowo ułożyć podpałkę.
- Na koniec umieścić średniej wielkości polano na szczycie stosu.
- Umieścić 2 lub 3 brykiety lub patyczki podpałkowe pod górną warstwą podpałki i rozpalic ogień. **UWAGA: Maksymalna wysokość stosu powinna być poniżej poziomych otworów CB. Otwory te nie powinny być przykryte.**
- Następnie można ustawić szybkość spalania, aby uzyskać zadaną temperaturę za pomocą regulacji ustawienia dopływów powietrza (Rys. 11).
- Upewnić się, że dopalanie się rozpoczęło (dyfuzja). Najlepiej wskazują na to żółte, migoczące płomienie z przodu otworów znajdujących się pod płytą dopalającą.
- Jeśli przepływ powietrza jest odpowiedni wówczas będziemy mogli zamknąć drzwi, a płomień będzie się nadal palił.

Dokładanie opału

Należy podkładać do ognia często, ale dodając jedynie małe ilości opału za każdym razem. Jeśli piec jest za bardzo wypełniony opałem, ciepło wytworzone na drodze spalania może przyczynić się do dużego obciążenia termicznego w kominie. Należy dodawać opał z rozważą i unikać tłącego się ognia, gdyż ten wytwarza najwięcej zanieczyszczeń. Ogień jest najlepiej rozpalony, kiedy w piecu dobrze się pali, a dym z komina jest prawie niewidoczny.

Układanie drewna

Rys. 14



- Drzewo nie może być ułożone wyżej niż 100 mm od spodu pieca.

5.1 Niebezpieczeństwo przegrzania

Pieca nie należy używać w sposób, który powoduje przegrzanie

Przegrzanie ma miejsce, gdy jest za dużo opału i/lub jest zbyt dużo powietrza tak, że wytwarza się zbyt dużo ciepła. Wyraźnym sygnałem przegrzania są żarzące się na czerwono części pieca. Jeśli zaistnieje podobna sytuacja, natychmiast należy zmniejszyć dopływ powietrza do spalania.

Zaleca się zasięgnięcie profesjonalnej porady jeśli istnieje podejrzenie, że komin ma nieprawidłowe parametry ciągu (zbyt mocny/zbyt słaby). Aby dowiedzieć się więcej - patrz <<4.0 Montaż>> (komin i przewód kominowy).

5.2 Usuwanie popiołu

- Popiół należy usuwać, gdy piec całkowicie ostygnie.
- Należy użyć szufelki lub przyrządu o podobnych właściwościach, by usunąć popiół przez drzwi pieca.

Zostawiaj zawsze niewielką ilość popiołu jako warstwę zabezpieczającą na dnie paleniska.

6.0 Konserwacja

6.1 Czyszczenie szyby

Niniejsze urządzenie jest zaopatrzone w system samooczyszczania szyby (air wash), który pomaga utrzymać szybę w odpowiedniej czystości. Powietrze jest zasysane przez kurtynę powietrzną na górze urządzenia i idzie ku dołowi, wzdłuż wewnętrznej powierzchni szyby.

Niestety niewielkie ilości sadzy zawsze będą odkładać się na szybie, a ich ilość będzie zależała głównie od bieżących parametrów ciągu kominowego i ustawienia zaworu powietrza do spalania. Większość tej warstwy sadzy, która odłożyła się na szybie, wypali się, kiedy ciągną powietrza do spalania znajdująca się będzie w pozycji całkowicie otwartej, a ogień w piecu będzie intensywnie płonął.

Zalecana metoda czyszczenia: w celu regularnego czyszczenia należy zwilżyć ciepłą wodą papierowy ręcznik i dodać trochę popiołu z komory spalania. Następnie rozetrzeć popiół na szybie, po czym umyć szybę czystą wodą. Dokładnie wytrzeć do sucha. Jednak jeśli zaistnieje potrzeba dokładniejszego czyszczenia, zalecamy zastosowanie preparatu do czyszczenia szklanych powierzchni (należy postępować według instrukcji na pojemniku z preparatem).

6.2 Czyszczenie i usuwanie sadzy

Podczas eksploatacji na wewnętrznych powierzchniach pieca może odkładać się sadza. Jest ona doskonałym izolatorem i z tego względu może ograniczyć wydajność cieplną pieca. Jeśli sadza odkłada się podczas eksploatacji produktu, może być ona łatwo usunięta za pomocą środka do usuwania sadzy.

By uniemożliwić odkładanie się sadzy i smoły w kominie należy rozpalać ogień do wysokich temperatur, co pozwoli pozbyć się tej warstwy. By uzyskać jak najlepsze efekty grzewcze, wskazane jest przeprowadzanie corocznego czyszczenia wnętrza pieca. Dobrym rozwiązaniem jest połączenie tej czynności z czyszczeniem kominu i rur dymowych.

6.3 Czyszczenie rur dymowych

Rury dymowe należy wymiać przez lukę do wymiatania popiołu lub przez drzwi pieca. By przeprowadzić ten proces najpierw należy usunąć płytę dopalającą i deflektor.

6.4 Kontrola pieca

Firma Jøtul zaleca dokładną kontrolę pieca po każdym czyszczeniu. Należy sprawdzić wszystkie widoczne powierzchnie, czy nie powstały pęknięcia. Ponadto należy sprawdzić szczelność wszystkich łączeń i pozycje uszczelek. Te elementy, które wykazują uszkodzenia lub oznaki zużycia, należy wymienić.

Zagłębienia w drzwiach, gdzie są uszczelki należy dokładnie wyczyścić i odtłuścić, a następnie na powierzchnie uszczelek nałożyć klej ceramiczny (do nabycia u dealerów firmy Jøtul). Uszczelkę wcisnąć na miejsce i poczekać do wyschnięcia kleju.

6.5 Konserwacja części zewnętrznych

Po kilku latach eksploatacji części pokryte farbą mogą zmienić kolor. W takich przypadkach należy oczyścić powierzchnię produktu usuwając wszystkie odstające cząsteczki, a następnie pomalować piec.

Powierzchnie produktów emaliowanych należy oczyścić używając do tego celu jedynie czystej suchej szmatki. Nie należy stosować wody ani mydła.

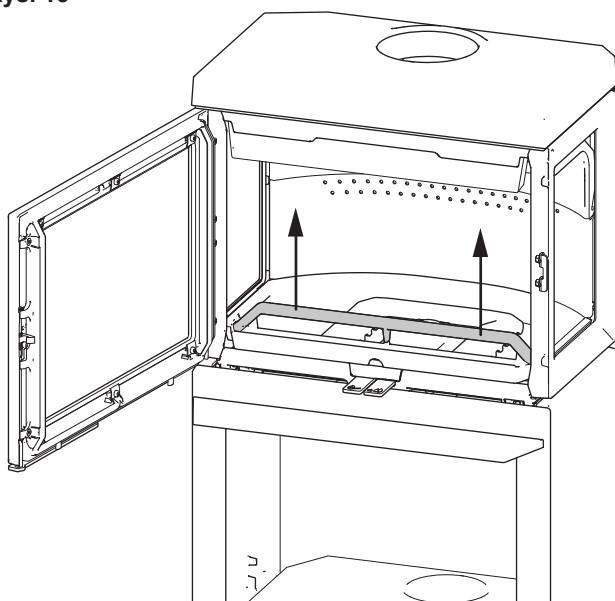
7.0 Serwis

Uwaga! Wprowadzanie jakichkolwiek nieautoryzowanych zmian w budowie urządzenia jest zakazane! Jedynie oryginalnie części mogą być stosowane!

7.1 Serwis/wymiana części w komorze spalania

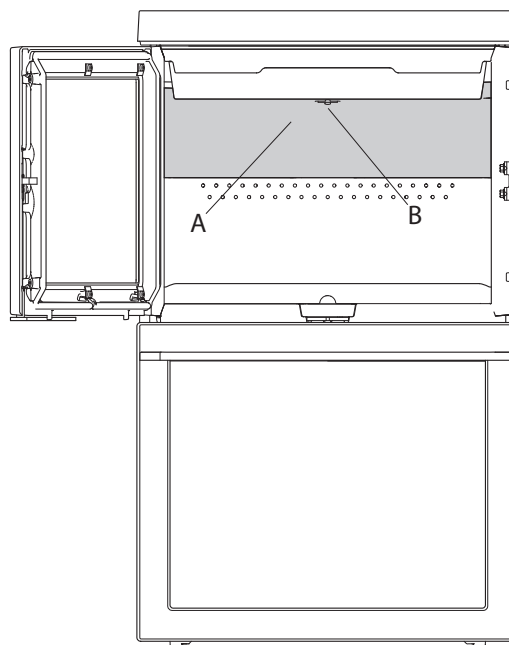
Uwaga! Należy używać narzędzi z wielką ostrożnością! Wermikulitowe płyty mogą ulec uszkodzeniu, jeśli będziemy postępować nieostrożnie.

Rys. 15



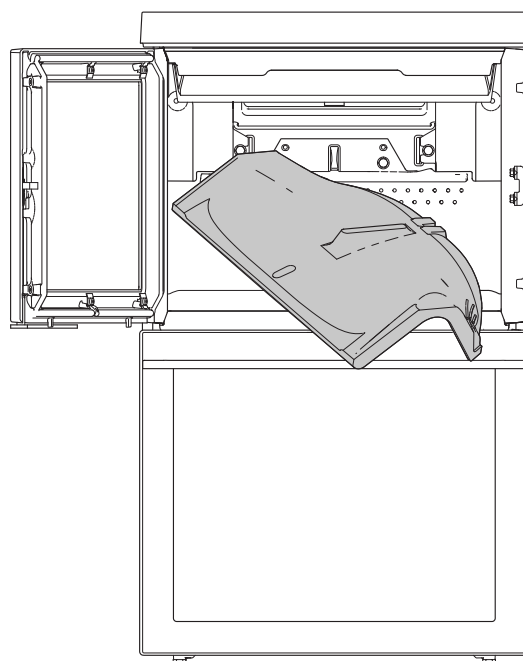
1. Najpierw należy usunąć listwę paleniskową.

Rys. 16



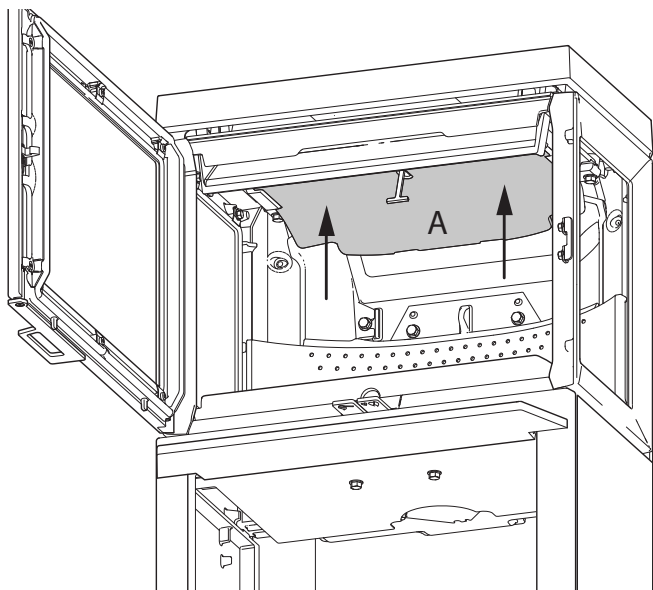
2. Unieść płytę dopalającą (A) do góry. Obrócić klucz (B) o 90°, a następnie usunąć go. Odciągnąć tylny brzeg płyty do dołu.

Rys. 17



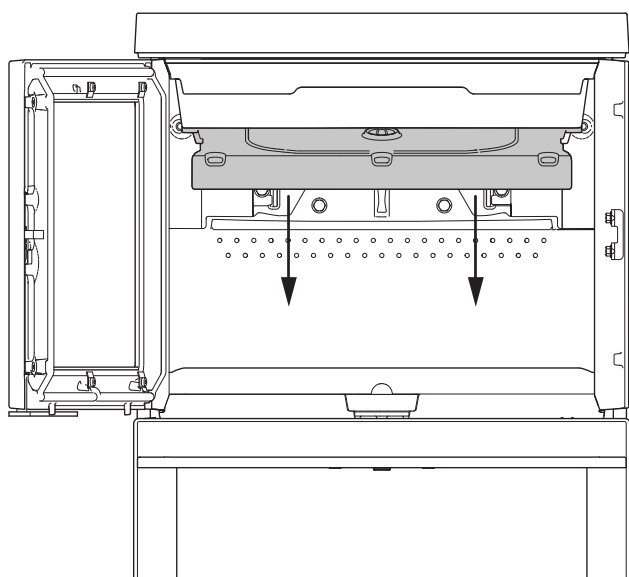
3. Skierować jeden z rogów do siebie i delikatnie wyciągnąć płytę dopalającą bokiem na zewnątrz.

Rys. 18



4. Usunąć deflektor (**A**) rozpoczynając od uniesienia go. Następnie popchnąć go do tyłu.

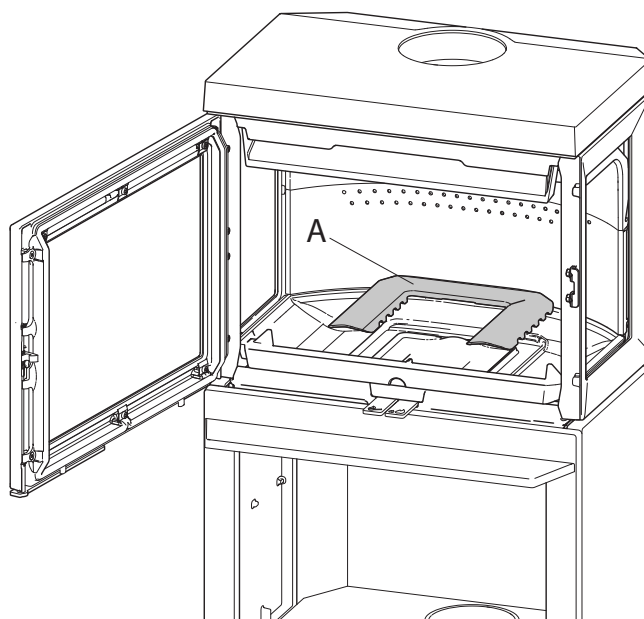
Rys. 19



5. Obniżyć deflektor, a następnie wyjąć.
6. Po przeprowadzeniu konserwacji lub wymiany części należy ponownie zamontować wszystkie części postępując zgodnie z powyższym opisem tylko w odwrotnej kolejności.

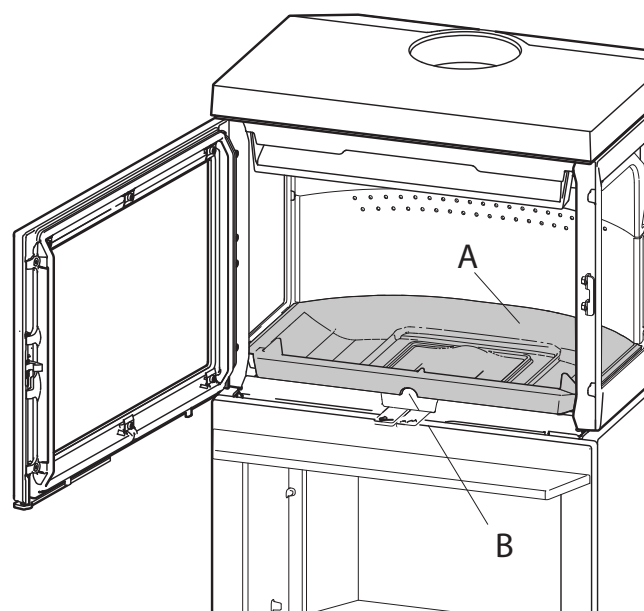
7.2 Wymiana kanału powietrznego i płyty dennej

Rys. 20



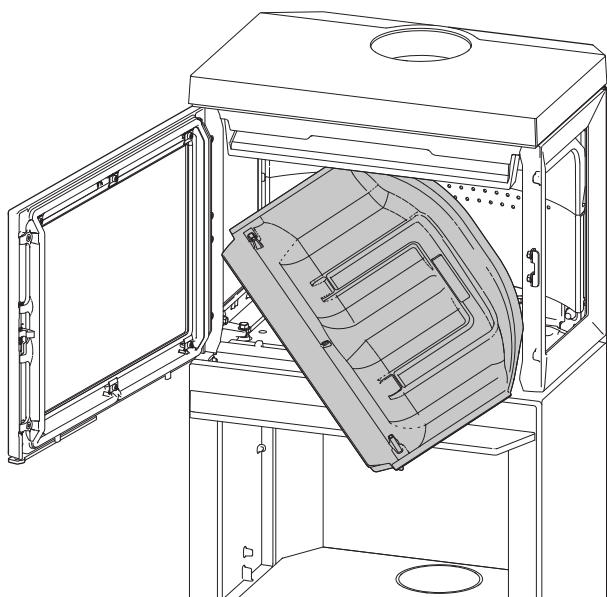
1. Unieść kanał powietrzny (**A**) i wyjąć go z pieca.

Rys. 21



2. Złapać płytę denną (**A**) chwytając za otwór (**B**) znajdujący się na przedniej krawędzi płyty dennej.

Rys. 22

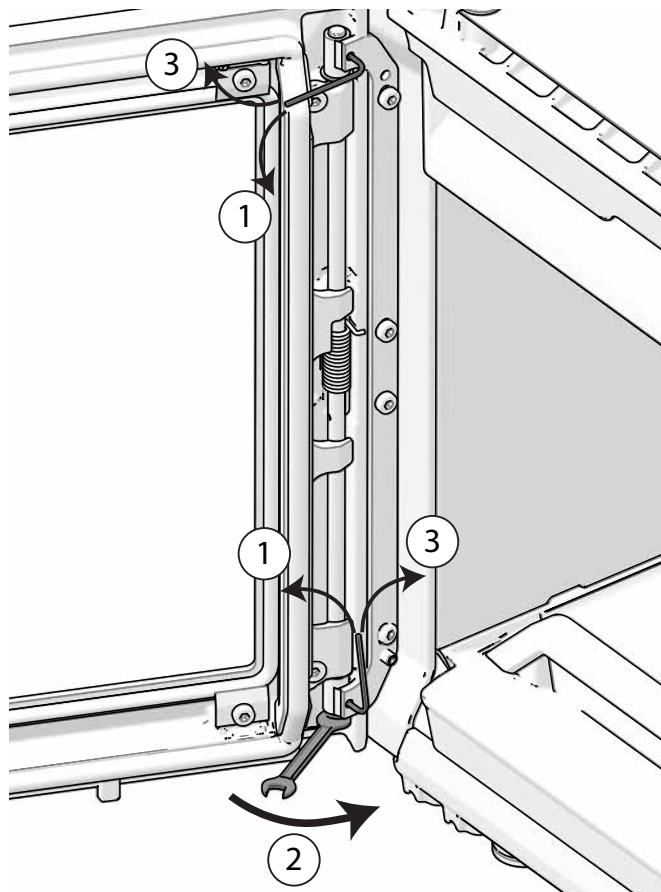


3. Obrócić płytę denną jednym z rogów do siebie i wyciągnąć ją z komory spalania.
4. Po przeprowadzeniu wymiany części należy ponownie zamontować wszystkie części postępując zgodnie z powyższym opisem tylko w odwrotnej kolejności.

7.3 Samozamykające się drzwi

Dokonując tej zmiany, sprawiasz, że drzwi zamykają się samoczynnie.

Rys. 23



1. Poluzuj dwie śruby imbusowe.
2. Dokręć śrubę na spodzie.
3. Ponownie dokręć śrubę imbusową.

NB! Operację tę należy wykonać kilka razy, aby osiągnąć pożądany efekt.

8.0 Problemy eksploatacyjne - rozwiązywanie problemów

Słaby ciąg kominowy

Sprawdź wysokość komina i jego zgodność z krajowymi przepisami i regulacjami. (Patrz także «2.0 Dane techniczne»). Upewnij się, że minimalny przekrój przewodu dymowego jest zgodny z «2.0 Dane techniczne» w instrukcji montażu. Sprawdź czy przewód dymowy nie jest zablokowany np. przez gałęzie, drzewa itp. Przy podejrzeniu nadmiernego / słabego ciągu kominowego, szukaj pomocy w zakresie u lokalnego przedstawiciela Jotul.

Ogień gaśnie po chwili

- Upewnij się, że drewno jest wystarczająco suche.
- Sprawdź czy w domu nie ma podciśnienia. Wyłącz wentylatory mechaniczne, okapy nadkuchenne i otwórz okno blisko pieca.
- Sprawdź, czy otwory wentylacyjne są otwarte.
- Sprawdź, czy połączenie pieca do przewodu dymowego nie jest zatkane sadzą.

Nadmierna ilość sadzy na szybie

Niewielka ilość sadzy zawsze będzie osadzała się na szybie, a jej ilość zależy od:

- Wilgotności używanego do palenia drewna.
 - Wielkości ciągu kominowego.
 - Ilości powietrza dopływającego do pieca.
- Większość sadzy zwykle wypali się, gdy jest zwiększony dopływ powietrza do pieca i ogień w komorze spalania będzie intensywniejszy. (Patrz «6.1 Czyszczenie szkła».)

9.0 Wyposażenie dodatkowe

9.1 Pokrywa dopływu świeżego powietrza – podłączenie przez podstawę

Pozycja nr 10049225

9.2 Rura dopływu świeżego powietrza ø 80 mm

Pozycja nr 51047509

9.3 Rura dopływu świeżego powietrza ø 100 mm

Pozycja nr 51012164

9.4 Jøtul F 520 High Top

Pozycja nr 51053360

9.5 Masa akumulacyjna - HSS

Pozycja nr 10026701

9.6 Zamknięcie drzwiczek, kompletne, lewe

Do drzwiczek prawych

Pozycja nr 50045754

10.0 Recykling

10.1 Recykling opakowania

Państwa piec jest dostarczany w następujących rodzajach opakowań:

- Drewniana paleta, która może zostać pocięta na kawałki i spalona w piecu.
- Kartonowe opakowanie, które należy oddać do recyklingu w lokalnym punkcie recyklingowym.
- Plastikowe torby, które należy oddać do recyklingu w lokalnym punkcie recyklingowym.

10.2 Recykling pieca

Państwa piec został wyprodukowany z:

- Żeliwa, który należy oddać do recyklingu w lokalnym punkcie recyklingowym.
- Szkła, które należy usunąć, jako niebezpieczny odpad. Szkło z pieca nie powinno być umieszczone w normalnym pojemniku do segregacji odpadów.
- Wermikulitowe płyty dopalające, które mogą być usunięte i umieszczone w normalnych pojemnikach na odpady.

11.0 Gwarancja

1. Gwarancja Jøtul obejmuje:

Jøtul gwarantuje, że wszystkie żeliwne części zewnętrzne w momencie zakupu nie posiadają wad materiałowych, ani produkcyjnych. Istnieje możliwość przedłużenia gwarancji na zewnętrzne części żeliwne do 25 lat od daty sprzedaży.

Aby przedłużyć gwarancję, należy zarejestrować zakupione urządzenie na stronie internetowej www.jotul.pl i wydrukować kartę przedłużonej gwarancji w przeciągu trzech miesięcy od dokonanego zakupu. Zalecamy przechowywanie Karty Gwarancyjnej razem z dowodem zakupu. Jøtul udziela gwarancji, że wszystkie stalowe części w momencie zakupu nie posiadają wad materiałowych, ani produkcyjnych i podlegają 5-letniej gwarancji z prawem do ich zwrotu.

Niniejsza gwarancja ma zastosowanie jedynie wtedy, gdy zakup urządzenia i proces montażowy został przeprowadzony przez Autoryzowanego Montażystę Jøtul Polska z zgodnie z obowiązującymi normami i przepisami krajowymi, stosując się do zaleceń instrukcji montażowej i eksploatacyjnej Jøtul. Urządzenia naprawione jak i produkty wymienione podlegają pierwotnemu okresowi gwarancji producenta.

2. Gwarancja Jøtul nie obejmuje:

- 2.1 Uszkodzeń części podlegających naturalnemu zużyciu, takich jak płyty wewnętrzne, ruszty, płyty dopalające, deflektory, szyby, uszczelki i wszelkie inne materiały, które ulegają zużyciu w wyniku standardowej eksploatacji.
- 2.2 Uszkodzeń spowodowanych nieprawidłową eksploatacją, przegrzaniem, użyciem nieodpowiedniego opału (tj. drewna dryfującego, impregnowanego, ścinek z desek drewnianych, płyty wiórowej itp.) lub zbyt wilgotnego / mokrego opału.
- 2.3 Instalacji wyposażenia dodatkowego, np. mającego na celu poprawianie właściwości ciągu, ujęcia powietrza lub innych czynników będących poza kontrolą firmy Jøtul.
- 2.4 Uszkodzeń wywołanych nieautoryzowanymi zmianami/modyfikacjami konstrukcyjnymi wprowadzanymi w urządzeniu, bądź uszkodzeń wywołanych zastosowaniem nieoryginalnych zamienników części.
- 2.5 Uszkodzeń spowodowanych składowaniem u dystrybutora, transportem na adres dostawy lub podczas procesu instalacji urządzenia.
- 2.6 Urządzeń zakupionych u nieautoryzowanych sprzedawców na terenie prowadzonej autoryzowanej sprzedaży urządzeń Jøtul.
- 2.7 Powiązanych kosztów (np. lecz nie wyłącznie, dotyczących transportu, potencjału ludzkiego, podróży) i wszelkich innych szkód pośrednich.

Piece na pellet, szkło, kamień, beton (takie uszkodzenia jak odpryski, pęknięcia, wybrzuszenia, odbarwienie, pęknięcie) mają zastosowanie do krajowego ustawodawstwa obowiązującego w sprzedaży towarów konsumpcyjnych. Niniejsza gwarancja obowiązuje w przypadku urządzeń nabytych w Europejskiej Strefie Ekonomicznej. Wszelkie kwestie dotyczące gwarancji i reklamacji należy zgłaszać do lokalnego autoryzowanego sprzedawcy Jøtul w czasie 14 dni od wykrycia wady lub uszkodzenia.

Szczegółowy wykaz autoryzowanych dystrybutorów na stronie internetowej www.jotul.pl.

Jeżeli Jøtul nie jest w stanie wywiązać się z określonych powyżej warunki gwarancji, Jøtul zamieni reklamowany produkt na produkt o podobnej mocy grzewczej.

Jøtul zastrzega sobie prawo do odmowy wymiany części lub usługi na warunkach gwarancyjnych w przypadku, gdy gwarancja nie została zarejestrowana online. Niniejsza gwarancja nie ogranicza, ani nie zawiesza uprawnień wynikających z obowiązującego ustawodawstwa krajowego regulującego sprzedaż konsumencką.

NO | Kvalitet- og sikkerhetskontroll



Siden 1853 har Jøtul vært kjent for å produsere ovner og peiser av høy kvalitet og med lang levetid. Vi ønsker å tilby våre kunder de absolutt beste produktene og gir derfor også markedets lengste garanti. Gjennom vår produkt- og kvalitetskontroll vektlegges nettopp dette – trygghet og sikkerhet. Kontrollen forsikrer deg som forbruker et sikkert og godt kvalitetsprodukt gjennom hele produktets levetid. Velger du en Jøtul gjør du et trygt valg.

EN | Quality and safety control

Since 1853 Jøtul has been known for manufacturing stoves and fireplaces of high quality and long lifetime. We want to offer our customers the absolute best products and therefore we have the longest guarantee on the market. Through our product and quality control, we emphasize this - safety and security. Our control assures you, the consumer a safe and good quality product throughout its lifetime. By choosing Jøtul, you have made a safe choice.

| Utført/ Checed | Kvalitet- og sikkerhetskontroll av Jøtul F 520 | Quality and safety check of Jøtul F 520 |
|------------------------|--|--|
| | Overflater er i henhold til Jøtuls kvalitetsstandard | Surfaces are according to Jøtul workmanship standard |
| | Glass er kontrollert, og frie uten hakk, merker, riper | The Glass is inspected and without any marks and scratches. |
| | Synlige skruer, glassklips og hengsler er montert riktig, og etter sjekket. | All visible screws, hinges and clips are checked and assembled correctly. |
| | Pakninger er riktig lagt, godt limt og med riktig pakningstrykk. | Ropes are correct, fastened and assembled with correct pressure. |
| | Innvendig deler er lagt ved i produktet: Hanske, mappe m/4 stk M&B, Br.anv og pose pakket. | Additional Components are included: Glove, 4PCS M&B, manual, and accessory bag. |
| | Glass dekker lisser, og spalte er lik mot dør på alle sider. Sideglass sjekkes at er montert riktig vei. | The glass, and side glass, are assembled correct. Glass over the rope and with the same distance to the door an all sides. |
| | Lukkemekanismen er funksjons testet, og fungerer som den skal. | Locking mechanisms and valves are controlled and adjusted to the product. |
| | Håndtak og ventiler er riktig justert og tilpasset til produktet. | Handel and air valves are adjusted accordantly to the prouct. |
| | 2 stk trekkventiler er montert og funksjons testet. | Air valves are controlled, and tested. |
| | Dør er riktig justert: -Opp/ned | The door is adjusted correctly, up/down. |
| | 1 stk hvelv er fri for skader, festet m/hvelvlås og tre-kloss, og folie er montert. | The baffle plate is free for marks, dents and scratches. Locked with baffle lock, Wood piece, and foil. |
| | Bakre brennplate er fri for hakk, merker og riper. | Burn plate is free for marks, dents and scratches. |
| | Topp plate øvre ligger stødig på produktet. | Top plate is stady on the product. |
| | Produktet er fritt for utvendig kitt– mellom frontsider/ topp-sider. | The product is checked for cement, outside, and between front and top sides. |
| | Godkjenningsskilt er sjekket mot ordrenummer og serienummer på produktet. | Approval sign: Checked against order number correspond with this product. |
| | Målt verdi for lekkasjekontroll: m³/t | Leakage test complete, measured value. m³/t |
| Lot# /Serie nr. | | Checked by/Kontrollert av |
| | | |
| | | Date/Dato |
| | | |

Cat.no. 10049414 -P12
Jøtul AS, Mars, 2021

Jøtul arbeider kontinuerlig for om mulig å forbedre sine produkter, og vi forbeholder oss retten til å endre spesifikasjoner, farger og utstyr uten nærmere kunngjøring.

Jøtul bemüht sich ständig um die Verbesserung seiner Produkte, deshalb können Spezifikationen, Farben und Zubehör von den Abbildungen und den Beschreibungen in der Broschüre abweichen.

Jøtul pursue a policy of constant product development. Products supplied may therefore differ in specification, colour and type of accessories from those illustrated and described in the brochure.

Jøtul vise sans cesse à améliorer ses produits. C'est pourquoi, il se réserve le droit de modifier les spécifications, couleurs et équipements sans avis préalable

Kvalitet

Jøtuls kvalitetspolitikk skal gi kundene den trygghet og kvalitetsopplevelse som Jøtul har stått for siden bedriftens historie startet i 1853.

Qualität

Unsere Qualitätspolitik vermittelt den Kunden ein Gefühl von Sicherheit und Qualität, für das Jøtul mit seiner langjährigen Erfahrung seit der Firmengründung im Jahre 1853 steht.

Quality

Our policy gives the customers quality and safety piece of mind as a result of Jøtul's vast experience dating back to when the company first started in 1853.

Qualité

Cette politique nous permet d'offrir à nos clients une qualité et une sécurité reposant sur la vaste expérience accumulée par Jøtul depuis sa création en 1853.



Jøtul AS,
P.o. box 1411
N-1602 Fredrikstad,
Norway
www.jotul.com